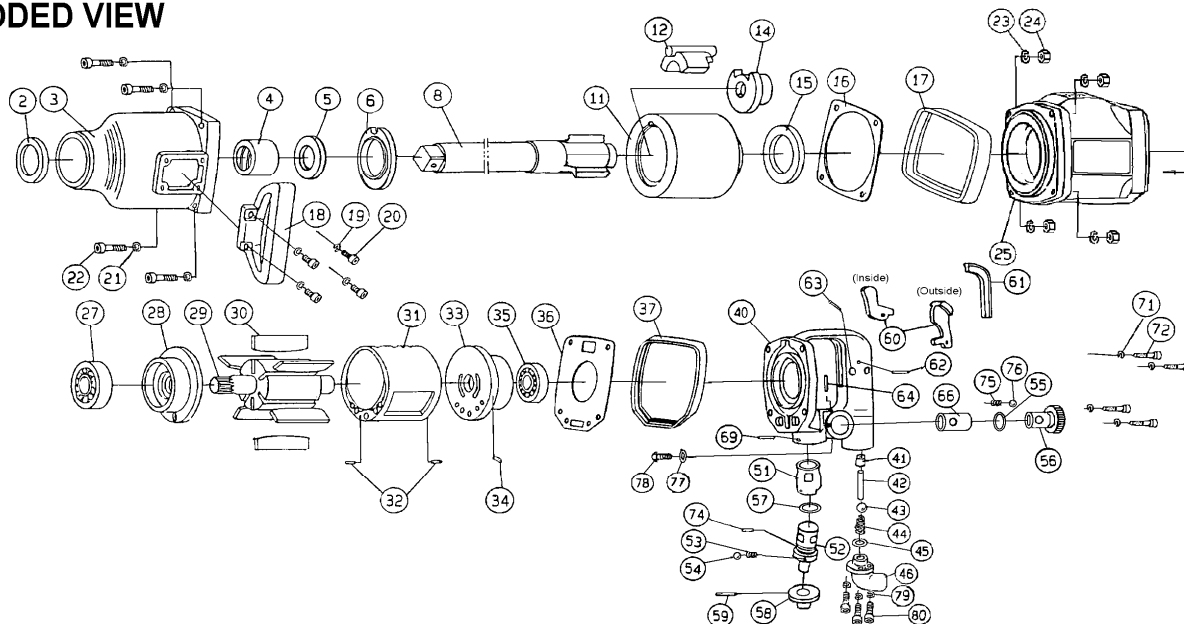




TSW-860SL

Pneumatic Impact Wrench

EXPLODED VIEW



Ref. No	Description	Qty	Part Code	Ref. No	Description	Qty	Part Code
2	Oil Seal	1	860-002	40A	Outside Lever Frame Handle Assembly (No. 40~60, 62~69, 75~80)		860-040A
3A	Hammer Case Assembly (No. 2~No. 4)		860-003A	40A	Inside Lever Frame Handle Assembly (No. 40~69, 75~80)		860-040A1
3	Hammer Case	1	860-003	40	Frame Handle	1	860-040
4	Hammer Case Bushing	1	860-004	41	Throttle Bushing	1	860-041
5	Thrust Washer	1	860-005	40	Throttle Pin	1	860-040
6	Side Plate	1	860-006	43	Throttle Valve	1	860-043
8	9" Anvil	1	860-008	44	Throttle Spring	1	860-044
8	2" Anvil	1	860-008S	45	O-Ring	1	860-045
11	Hammer Frame	1	860-011	46	Inlet Bushing	1	860-046
12	Pin Hammer	1	860-012	51	Valve Bushing	1	860-051
14	Driver	1	860-014	52A	Reverse Valve Assy (No. 52, 74)		860-052A
15	Spacer	1	860-015	52	Reverse Valve	1	860-052
16	Hammer Case Packing	1	860-016	53	Spring	1	860-053
17	Front Protect Rubber	1	860-017	54	Steel Ball	1	860-054
18	D-Handle	1	860-018	55	O-Ring	1	860-055
19	Spring Washer (for D-Handle)	4	860-019	56	Adjust Valve	1	860-056
20	Hex. Cap Bolt (for D-Handle)	4	860-020	57	O-Ring	1	860-057
21	Spring Washer	4	860-021	58	Reverse Lever	1	860-058
22	Hex. Cap Bolt	4	860-022	59	Spring Pin	1	860-059
23	Spring Washer	4	860-023	60	Outside Lever	1	860-060
24	Hex. Nut (for Motor Case)	4	860-024	601	Inside Lever	1	860-0601
25A	Motor Case Assembly (No. 25~No. 35)		860-025A	61	Rubber (for Inside Lever)	1	860-061
25	Motor Case	1	860-025	62	Spring Pin	1	860-062
27	Ball Bearing	1	860-027	63	Needle Pin	1	860-063
28	Front End Plate	1	860-028	64	Spring Pin	1	860-064
29	Rotor	1	860-029	66	Adjust Bushing	1	860-066
30	Vane	6	860-030	69	Spring Pin	1	860-069
31A	Cylinder Assembly (No. 31, No. 32)		860-031A	71	Spring Washer	4	860-071
31	Cylinder	1	860-031	72	Hex. Cap Bolt	4	860-072
32	Spring Pin	2	860-032	74	Spring Pin	1	860-074
33A	Rear End Plate Assembly (No. 33, No. 34)		860-033A	75	Spring	1	860-075
33	Rear End Plate	1	860-033	76	Steel Ball	1	860-076
34	Spring Pin	1	860-034	77	O-Ring	1	860-077
35	Ball Bearing	1	860-035	78	Screw	1	860-078
36	Motor Case Packing	1	860-036	79	Spring Washer	3	860-079
37	Rear Protect Rubber	1	860-037	80	Hex. Cap Bolt	3	860-080

◆Parts may be changed without notice.