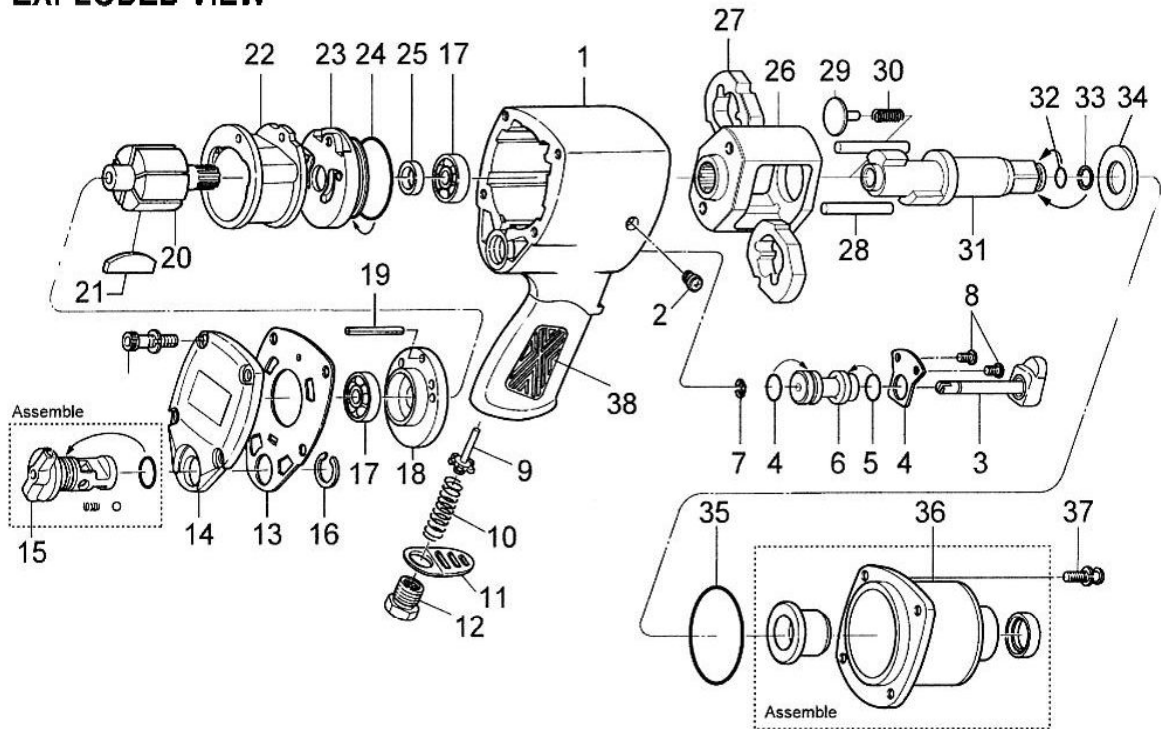




TSW-419P

Pneumatic Impact Wrench

EXPLODED VIEW



Ref. No	Description	Qty	Part Code	Ref. No	Description	Qty	Part Code
1	Motor Housing	1	419-001	21	Rotor Blade	6	419-021
2	Oil Plug	1	419-002	22	Cylinder	1	419-022
3	Throttle Trigger Pin	1	419-003	23	Front Plate	1	419-023
4	Stop Cover	1	419-004	24	O-Ring	1	419-024
5	O-Ring	2	419-005	25	Plate Oil Seal	1	419-025
6	Throttle Bushing	1	419-006	26	Twin Cage	1	419-026
7	E-Ring	1	419-007	27	Twin Hammer	2	419-027
8	Screw	2	419-008	28	Twin Hammer Pin	2	419-028
9	Valve Stem	1	419-009	29	Thrust Button	1	419-029
10	Valve Spring	1	419-010	30	Compression Spring	1	419-030
11	Exhaust Deflector	1	419-011	31	Twin Anvil	1	419-031
12	Hose Adaptor	1	419-012	32	O-Ring	1	419-032
13	Gasket	1	419-013	33	Socket Ring	1	419-033
14	End Cap	1	419-014	34	Anvil Spacer	1	419-034
15	Reverse Regulator Assy	1	419-015A	35	O-Ring	1	419-035
16	CE Ring	1	419-016	36	Steel Housing Assy	1	419-036A
17	Ball Bearing	2	419-017	37	Screw With Washer	8	419-037
18	Rear Plate	1	419-018	38	Handle Rubber	1	419-038
19	Guide Pin	1	419-019				
20	Rotor	1	419-020				

◆Parts may be changed without notice.