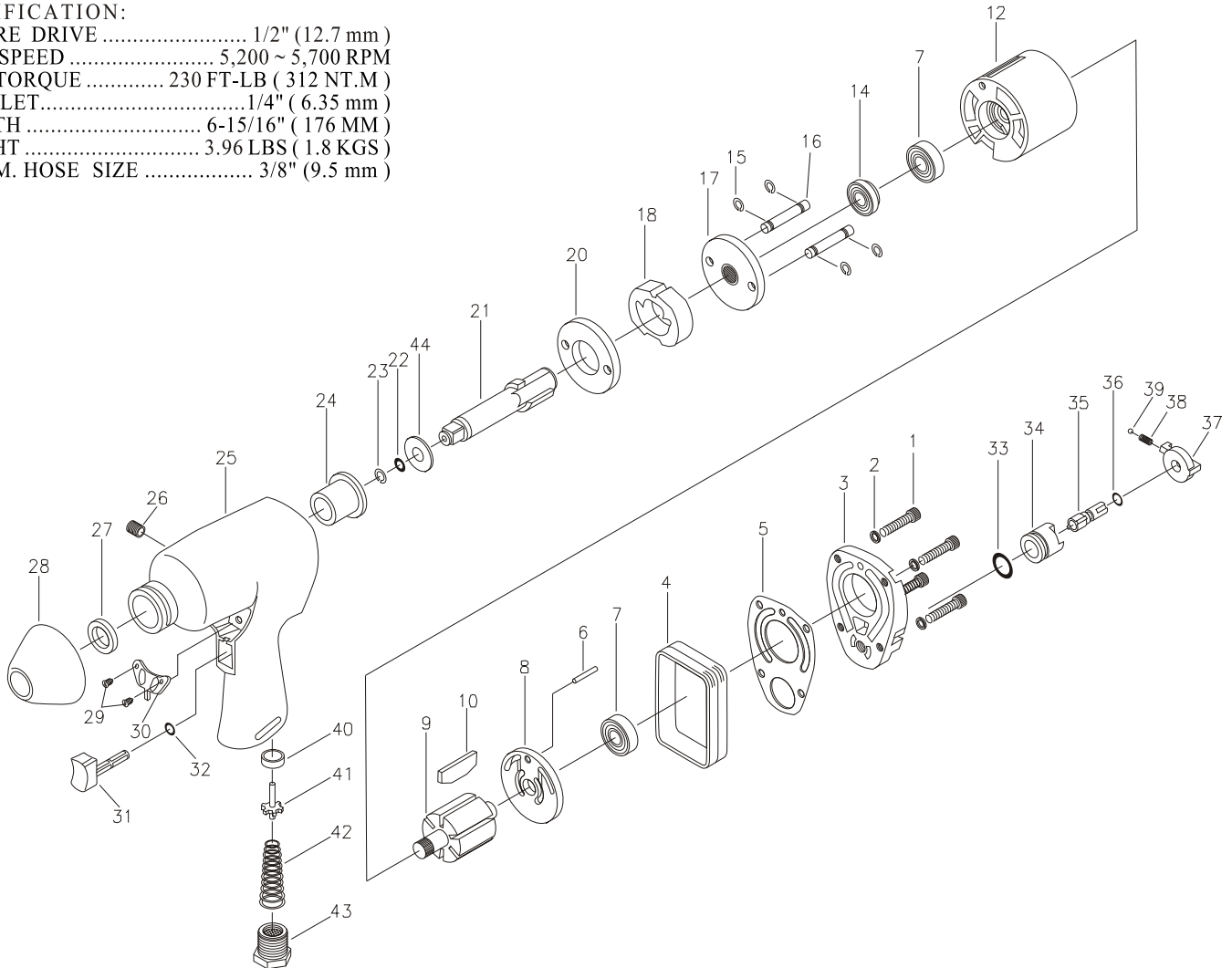


Professional Duty

1/2" Air Impact Wrench Model No: NW - 416P

SPECIFICATION:

SQUARE DRIVE 1/2" (12.7 mm)
 FREE SPEED 5,200 ~ 5,700 RPM
 MAX TORQUE 230 FT-LB (312 NT.M)
 AIR INLET.....1/4" (6.35 mm)
 LENGTH 6-15/16" (176 MM)
 WEIGHT 3.96 LBS (1.8 KGS)
 RECOM. HOSE SIZE 3/8" (9.5 mm)



PART LIST:

NO	DESCRIPTION	PART NO	Qty	REMARK
1	M5*L16 HEX. CAP BOLT	0244000000	4	
2	M5 SPRING WASHER	4050000000	4	
3	REAR COVER	2303000000	1	
4	FRONT PROTECTING RUBBER	2304000000	1	
5	REAR COVER GASKET	2305000000	1	
6	φ 2.5*L18 SPRING PIN	2047000000	1	
7	6001 BEARING	2307000000	1	
8	REAR BEARING PLATE	2308000000	1	
9	ROTOR	2309000000	1	
10	VANE	8026000000	6	
12	CYLINDER	C110201200	1	
14	WASHER	2314000000	1	
15	5.8*φ 1.4 HAMMER PIN DIPS	231500000A	4	
16	HAMMER PIN	231600000A	2	
17	BOTTOM CAGE PLATE	2317000000	1	
18	HAMMER	2318000000	1	
20	TOP CAGE PLATE	2320000000	1	
21	ANVIL	2321000000	1	
22	P7 O-RING	P7	1	
23	CIRCLET	4045000000	1	
24	BUSHING	2324000000	1	
25	HOUSING	2325000000	1	
26	PT1/16" * 28t/inch * 7L SCREW	8045000000	1	
27	φ 16.5*φ 25*L5 OIL SEAL	8003000000	1	
28	FRONT PROTECTING RUBBER	2328000000	1	
29	M3 SELF-TAPPING SCREW	1402000000	2	
30	EXHAUST DEFLECTOR	2330000000	1	
31	TRIGGER	2331000000	1	

NO	DESCRIPTION	PART NO	Qty	REMARK
32	φ 1.9*P6 O-RING	P6	1	
33	φ 18.77*P1.78 O-RING	2333000000	1	
34	F/R VALVE	2334000000*1	1	
35	F/R STEM	2335000000*1	1	
36	φ 5*2.0 O-RING	2336000000	1	
37	F/R KNOB	2337000000	1	
38	φ 3.2*7L SPRING	2338000000	1	
39	1/8" STEEL BALL	0420000000	1	
40	VALVE RUBBER	4506000000*1	1	
41	VALVE	2341000000	1	
42	SPRING	2342000000	1	
43	INLET	9632000000	1	
44	WASHER	2344000000	1	

K1	TUNE UP KIT	K230100000	1 SET	
K2	SCREW AND WASHER KIT	K230500000	1 SET	
K3	ANVIL HAMMER KIT	K232100000	1 SET	
K4	CYLINDER KIT	K231100000	1 SET	
K5	VALVE KIT	K234100000	1 SET	
K6	TRIGGER KIT	K233100000	1 SET	
K7	REGULATOR ASSEMBLY KIT	23350000AA	1 SET	
K1	4, 5, 6, 10, 15, 22, 23, 27, 28, 30, 32, 33, 36, 38, 39, 40			
K2	1, 2, 26, 29			
K3	15, 16, 17, 18, 20, 21, 22, 23			
K4	11, 12			
K5	40, 41, 42			
K6	31, 32			
K7	33, 34, 35, 36, 37, 38, 39			