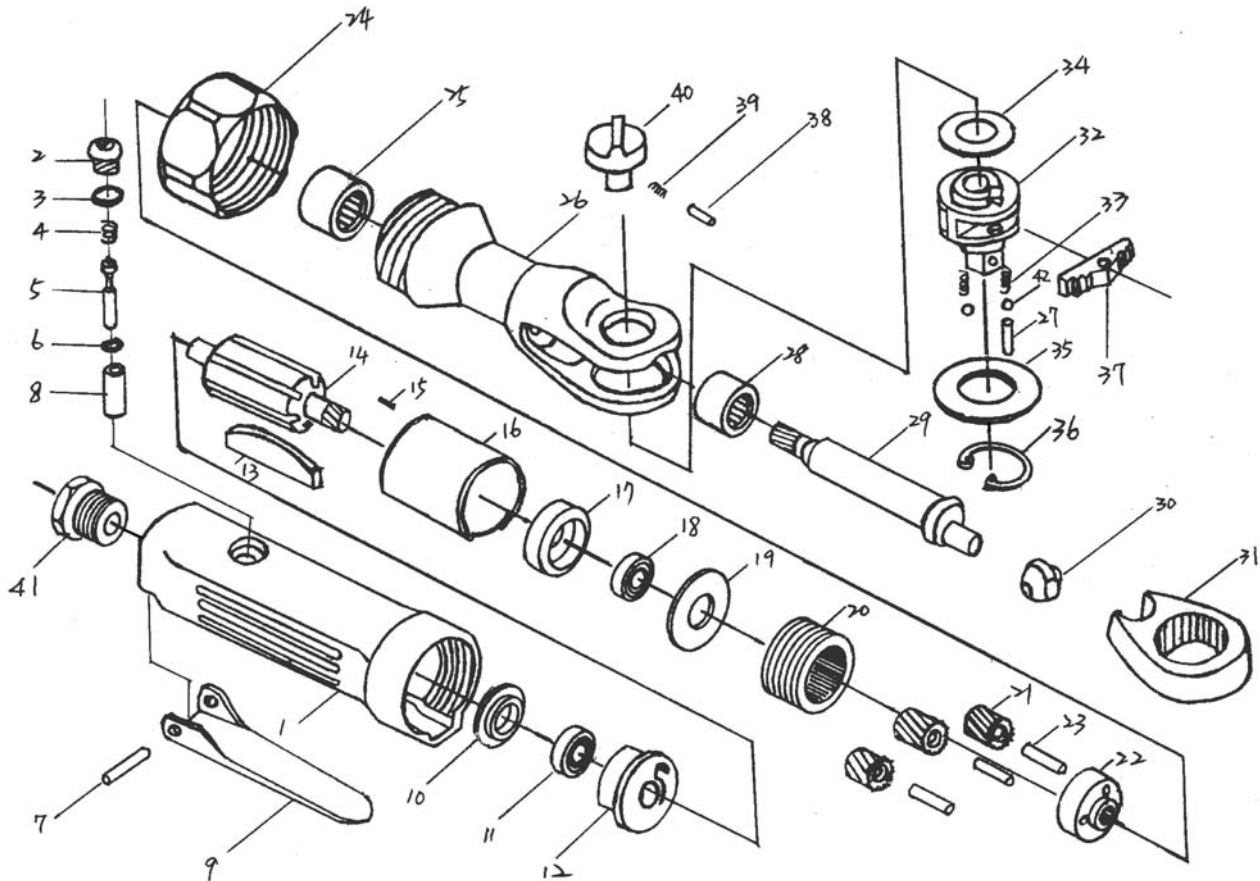


Professional Duty

1/2" Ratchet Wrench

SPECIFICATION:

SQUARE DRIVE 1/2"
 FREE SPEED 150 RPM
 MAX TORQUE..... 45 FT-LBF
 AIR INLET 1/4"
 LENGTH 10" (254 M/M)
 WEIGHT 2.86 LBS (1.3 KGS)



PARTS LIST :

NO	DESCRIPTION	PARTS NO	Qty	REMARK
1	HOUSING	BP20100100	1	
2	VALVE PLUG	BP20100200	1	
3	O-RING	BP20100300	1	
4	SPRING	BP20100400	1	
5	ROLL PIN	BP20100500	1	
6	O-RING	BP20100600	1	
7	SPRING PIN	BP20100700	1	
8	THROTTLE VALVE	BP20100800	1	
9	THROTTLE LEVEL	BP20100900	1	
10	END PLATE CAP	BP20101000	1	
11	REAR BEARING	BP20101100	1	
12	REAR PLATE	BP20101200	1	
13	ROTOR BLADE	BP20101300	4	
14	ROTOR	BP20101400	1	
15	CYLINDER PIN	BP20101500	1	
16	CYLINDER	BP20101600	1	
17	FRONT PLATE	BP20101700	1	
18	FRONT BEARING	BP20101800	1	
19	WASHER	BP20101900	1	
20	THREAD-RING GEAR	BP20102000	1	
21	IDLER GEAR	BP20102100	3	

NO	DESCRIPTION	PARTS NO	Qty	REMARK
22	IDLER GEAR PLAYE	BP20102200	1	
23	IDLER GEAR PIN	BP20102300	3	
24	CLAMP NUT	BP20102400	1	
25	SPACER	BP20102500	1	
26	RATCHET HOUSING	BP20102600	1	
27	PIN	BP20102700	1	
28	NEEDLE BEARING	BP20102800	1	
29	CRANK SHAFT	BP20102900	1	
30	DRIVE BUSHING	BP20103000	1	
31	RATCHET YOKE	BP20103100	1	
32	RATCHET ANVIL (1/2")	BP2010320A	1	
33	SPRING	BP20103300	2	
34	WASHER	BP20103400	1	
35	THRUST WASHER (1/2")	BP2010350A	1	
36	RETAINER RING	BP20103600	1	
37	RATCHET PAWL	BP20103700	1	
38	LOCK PIN	BP20103800	1	
39	SPRING	BP20103900	1	
40	REVERSE BUTTON	BP20104000	1	
41	CONNECTION HEAD	BP20104100	1	
42	STEEL BALL	BP20104200	2	