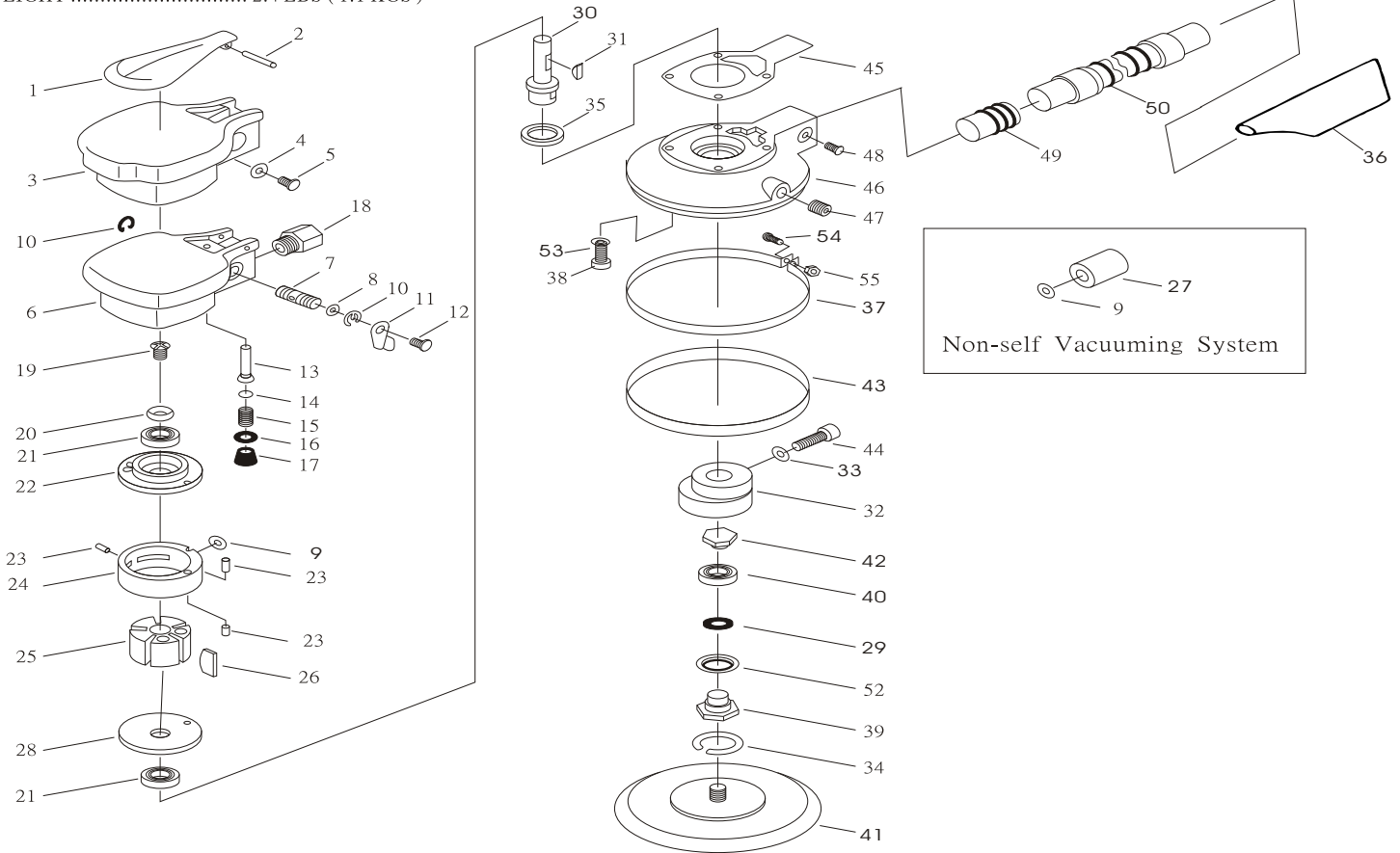


Professional Duty

5" Orbital Sander

SPECIFICATION:

PAD SIZE 5"
 FREE SPEED 9,000 RPM
 AIR INLET 1/4"
 HOSE SIZE 3/8"
 LENGTH 6-3/5" (167M/M)
 WEIGHT 2.4 LBS (1.1 KGS)



PART LIST :

NO	DESCRIPTION	PART NO	Qty	REMARK
1	VALVE LEVER	BP61300100	1	
2	SPRING PIN(3x25)	C102001600	1	
3	BODY COVER	BP61300300	1	
4	CANICAL WASHER(M3)	BP61300400	2	
5	SCREW(M3x8)	1402000000	2	
6	BODY	BP61300600	1	
7	REGULATOR	BP61300700	1	
8	O-RING (P4)	P4	2	
9	O-RING (P7)	P7	2	
10	RETAINING RING (E7)	BP61301000	2	
11	REGULATOR LEVER	BP61301100	1	
12	SCREW (M4x6)	BP61301200	1	
13	VALVE PIN	BP61301300	1	
14	O-RING(φ4*φ7)	BP61301400	1	
15	VALVE SPRING	BP61301500	1	
16	O-RING (P8)	P8	1	
17	VALVE CAP	BP61301700	1	
18	INLET SCREW	BP61301800	1	
19	SCREW (M6x10)	BP61301900	1	
20	CONICAL WASHER(M6)	BP61302000*1	1	
20	CONICAL WASHER(M6)	BP61302000*2	1	
21	BEARING (6000ZZ)	BP61302100	2	
22	U-BEARING CASE	BP61302200	1	
23	φ3*5PIN	3217000000	3	
24	CYLINDER	BP61302400	1	
25	ROTOR	BP61302500	1	
26	VANE	BP61302600	5	
27	SILENCER	BP61302700	1	
28	L-BEARING CAGE	BP61302800	1	
29	FELT	BP61302900	1	

NO	DESCRIPTION	PART NO	Qty	REMARK
30	ROTOR SHAFT	BP61303000	1	
31	H/R KEY(3x13)	BP61303100	1	
32	RANDOM BALANCER	BP61303200	1	
33	SPRING WASHER(M5)	4050000000	1	
34	SNAP RING(IR28)	BP61303400	1	
35	FELT RING	BP61303500	1	
36	BAG	BP61303600	1	
37	SKIRT BAND	BP61303700	1	
38	SCREW(M4*L16)	0643000000	4	
39	PAD SHAFT	BP61303900	1	
40	BEARING(6001DD)	BP61304000	1	
41A	5" Velero PAD	H-8236	1	
41B	5" PAD	H-8234	1	
41C	6" Velero PAD	H-8279	1	
41D	6" PAD	H-8277	1	
42	SCREW	BP61304200	1	
43	SKIRT(5")	BP61304300	1	
44	CAP SCREW(M5x25)	BP61304400	1	
45	BODY PACKING	BP61304500	1	
46	BASE RING	BP61304600	1	
47	CHOCK PLUG(1/8"PT)	BP61304700	1	
48	SCREW(M4x8)	BP61304800	1	
49	EJECTOR	BP61304900	1	
50	DUST HOSE SET (DUST FREE)	BP61305000	1	
51	WRENCH	BP61305100	1	
52	SPACER	BP61305200	1	
53	5/32"SCREW WASHER	0642000000	4	
54	SCREW(M4x16)	BP61305400	1	
55	SCREW(M4)	BP61305500	1	



Replacement Part List

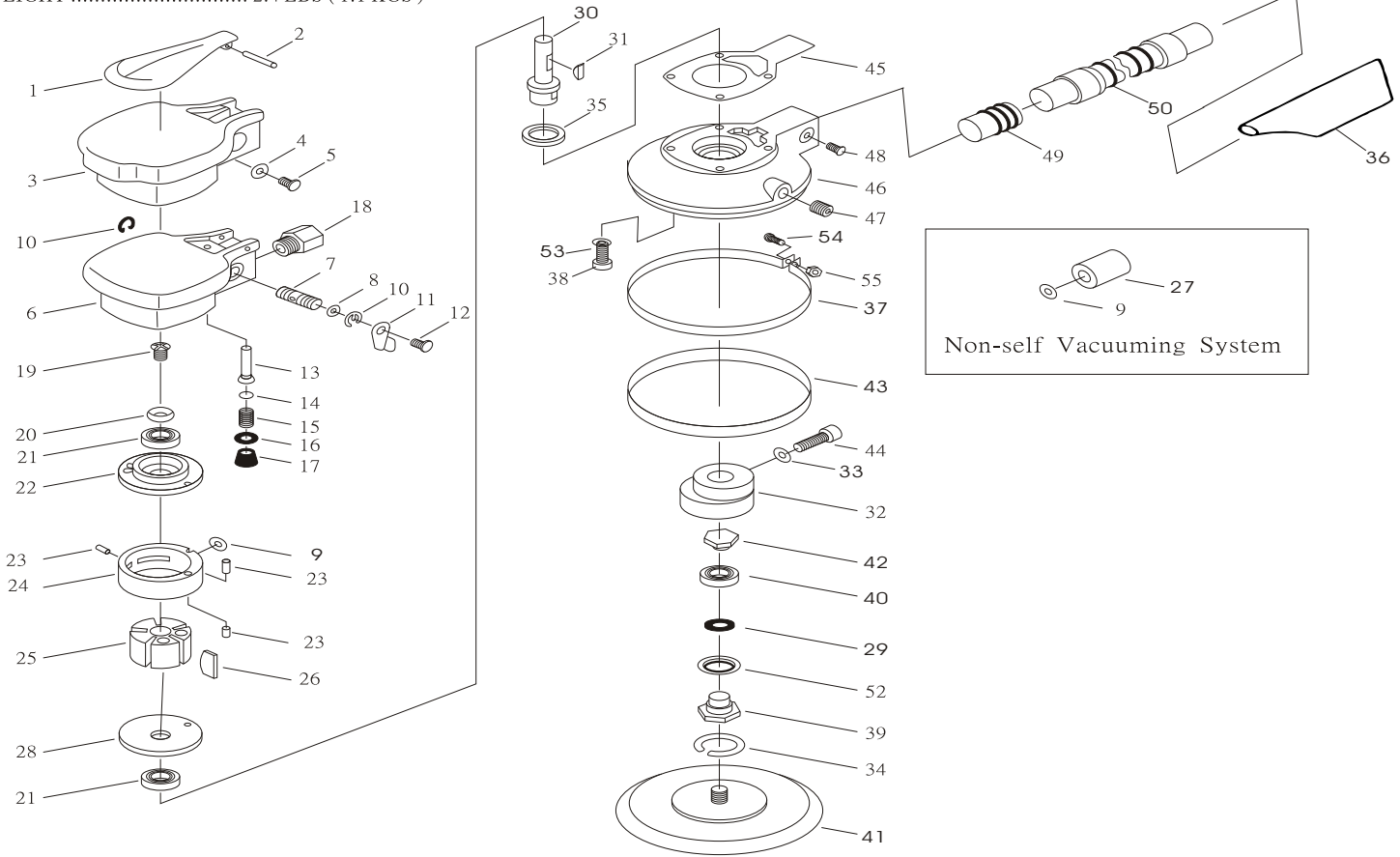
CE ISO9001 Manufacturer

Professional Duty

5" Orbital Sander Model No: 613

SPECIFICATION:

PAD SIZE 5"
 FREE SPEED 9,000 RPM
 AIR INLET 1/4"
 HOSE SIZE 3/8"
 LENGTH 6-3/5" (167M/M)
 WEIGHT 2.4 LBS (1.1 KGS)



PART LIST :

NO	DESCRIPTION	PART NO	Qty	REMARK
1	VALVE LEVER	BP61300100	1	
2	SPRING PIN(3x25)	C102001600	1	
3	BODY COVER	BP61300300	1	
4	CANICAL WASHER(M3)	BP61300400	2	
5	SCREW(M3x8)	1402000000	2	
6	BODY	BP61300600	1	
7	REGULATOR	BP61300700	1	
8	O-RING (P4)	P4	2	
9	O-RING (P7)	P7	2	
10	RETAINING RING (E7)	BP61301000	2	
11	REGULATOR LEVER	BP61301100	1	
12	SCREW (M4x6)	BP61301200	1	
13	VALVE PIN	BP61301300	1	
14	O-RING(φ4*φ7)	BP61301400	1	
15	VALVE SPRING	BP61301500	1	
16	O-RING (P8)	P8	1	
17	VALVE CAP	BP61301700	1	
18	INLET SCREW	BP61301800	1	
19	SCREW (M6x10)	BP61301900	1	
20	CONICAL WASHER(M6)	BP61302000*1	1	
20	CONICAL WASHER(M6)	BP61302000*2	1	
21	BEARING (6000ZZ)	BP61302100	2	
22	U-BEARING CASE	BP61302200	1	
23	φ3*5PIN	3217000000	3	
24	CYLINDER	BP61302400	1	
25	ROTOR	BP61302500	1	
26	VANE	BP61302600	5	
27	SILENCER	BP61302700	1	
28	L-BEARING CAGE	BP61302800	1	
29	FELT	BP61302900	1	

NO	DESCRIPTION	PART NO	Qty	REMARK
30	ROTOR SHAFT	BP61303000	1	
31	H/R KEY(3x13)	BP61303100	1	
32	RANDOM BALANCER	BP61303200	1	
33	SPRING WASHER(M5)	4050000000	1	
34	SNAP RING(IR28)	BP61303400	1	
35	FELT RING	BP61303500	1	
36	BAG	BP61303600	1	
37	SKIRT BAND	BP61303700	1	
38	SCREW(M4*L16)	0643000000	4	
39	PAD SHAFT	BP61303900	1	
40	BEARING(6001DD)	BP61304000	1	
41A	5" Velero PAD	H 8236	1	
41B	5" PAD	H 8234	1	
41C	6" Velero PAD	H 8279	1	
41D	6" PAD	H 8277	1	
42	SCREW	BP61304200	1	
43	SKIRT(5")	BP61304300	1	
44	CAP SCREW(M5x25)	BP61304400	1	
45	BODY PACKING	BP61304500	1	
46	BASE RING	BP61304600	1	
47	CHOCK PLUG(1/8"PT)	BP61304700	1	
48	SCREW(M4x8)	BP61304800	1	
49	EJECTOR	BP61304900	1	
50	DUST HOSE SET (DUST FREE)	BP61305000	1	
51	WRENCH	BP61305100	1	
52	SPACER	BP61305200	1	
53	5/32"SCREW WASHER	0642000000	4	
54	SCREW(M4x16)	BP61305400	1	
55	SCREW(M4)	BP61305500	1	



Replacement Part List

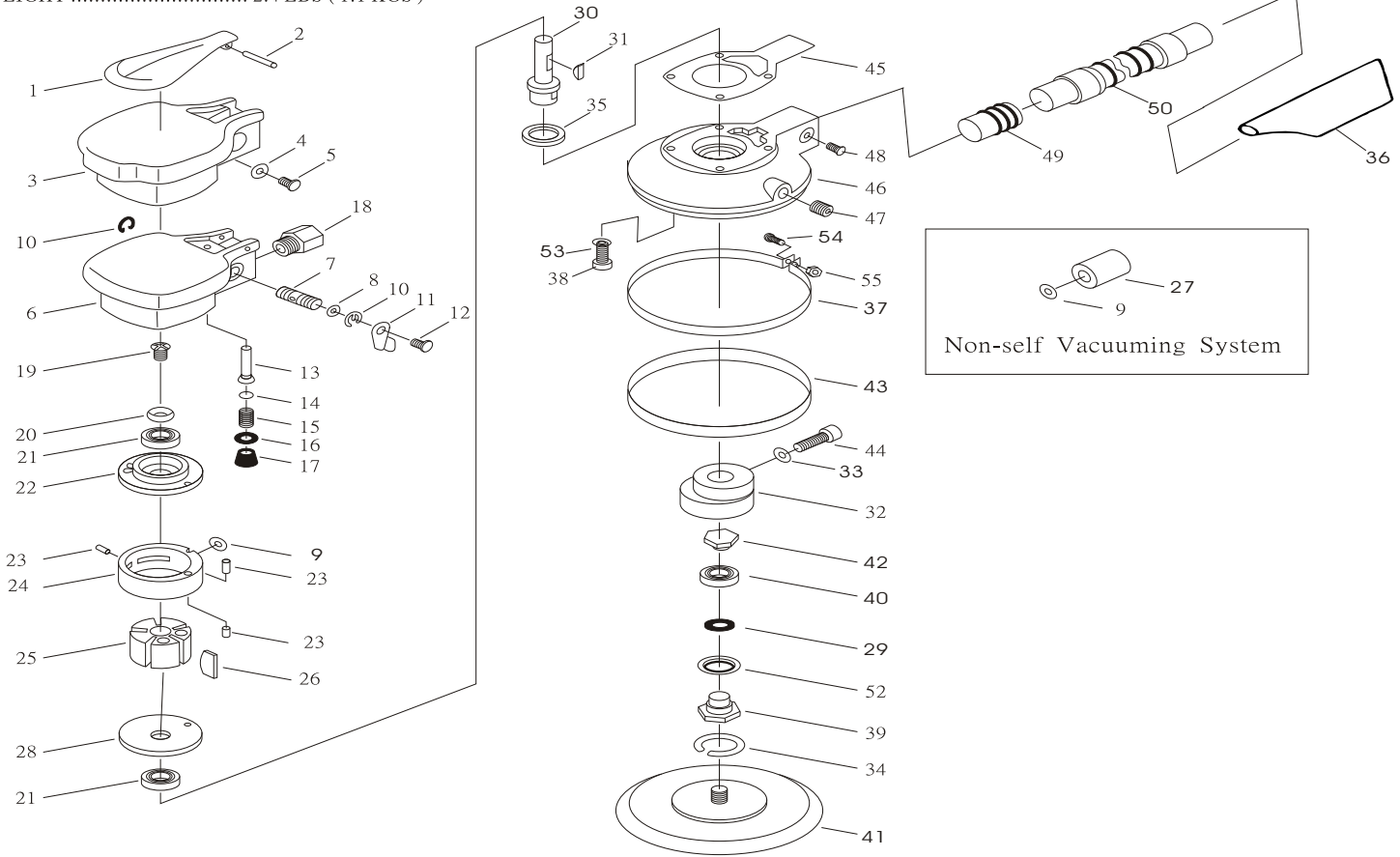
CE ISO9001 Manufacturer

Professional Duty

5" Orbital Sander Model No: 613

SPECIFICATION:

PAD SIZE 5"
 FREE SPEED 9,000 RPM
 AIR INLET 1/4"
 HOSE SIZE 3/8"
 LENGTH 6-3/5" (167M/M)
 WEIGHT 2.4 LBS (1.1 KGS)



PART LIST :

NO	DESCRIPTION	PART NO	Qty	REMARK
1	VALVE LEVER	BP61300100	1	
2	SPRING PIN(3x25)	C102001600	1	
3	BODY COVER	BP61300300	1	
4	CANICAL WASHER(M3)	BP61300400	2	
5	SCREW(M3x8)	1402000000	2	
6	BODY	BP61300600	1	
7	REGULATOR	BP61300700	1	
8	O-RING (P4)	P4	2	
9	O-RING (P7)	P7	2	
10	RETAINING RING (E7)	BP61301000	2	
11	REGULATOR LEVER	BP61301100	1	
12	SCREW (M4x6)	BP61301200	1	
13	VALVE PIN	BP61301300	1	
14	O-RING(φ4*φ7)	BP61301400	1	
15	VALVE SPRING	BP61301500	1	
16	O-RING (P8)	P8	1	
17	VALVE CAP	BP61301700	1	
18	INLET SCREW	BP61301800	1	
19	SCREW (M6x10)	BP61301900	1	
20	CONICAL WASHER(M6)	BP61302000*1	1	
20	CONICAL WASHER(M6)	BP61302000*2	1	
21	BEARING (6000ZZ)	BP61302100	2	
22	U-BEARING CASE	BP61302200	1	
23	φ3*5PIN	3217000000	3	
24	CYLINDER	BP61302400	1	
25	ROTOR	BP61302500	1	
26	VANE	BP61302600	5	
27	SILENCER	BP61302700	1	
28	L-BEARING CAGE	BP61302800	1	
29	FELT	BP61302900	1	

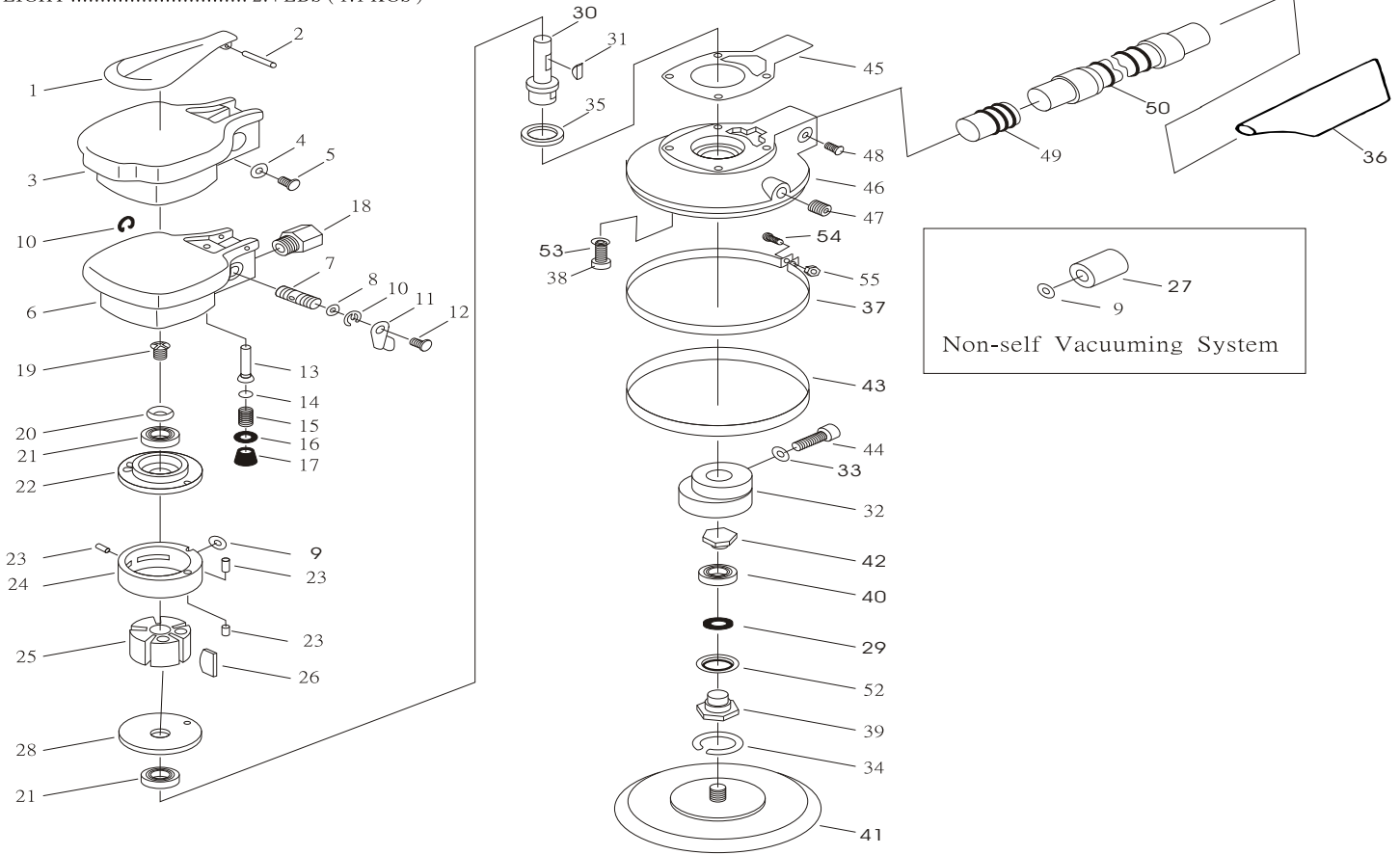
NO	DESCRIPTION	PART NO	Qty	REMARK
30	ROTOR SHAFT	BP61303000	1	
31	H/R KEY(3x13)	BP61303100	1	
32	RANDOM BALANCER	BP61303200	1	
33	SPRING WASHER(M5)	4050000000	1	
34	SNAP RING(IR28)	BP61303400	1	
35	FELT RING	BP61303500	1	
36	BAG	BP61303600	1	
37	SKIRT BAND	BP61303700	1	
38	SCREW(M4*L16)	0643000000	4	
39	PAD SHAFT	BP61303900	1	
40	BEARING(6001DD)	BP61304000	1	
41A	5" Velero PAD	H 8236	1	
41B	5" PAD	H 8234	1	
41C	6" Velero PAD	H 8279	1	
41D	6" PAD	H 8277	1	
42	SCREW	BP61304200	1	
43	SKIRT(5")	BP61304300	1	
44	CAP SCREW(M5x25)	BP61304400	1	
45	BODY PACKING	BP61304500	1	
46	BASE RING	BP61304600	1	
47	CHOCK PLUG(1/8"PT)	BP61304700	1	
48	SCREW(M4x8)	BP61304800	1	
49	EJECTOR	BP61304900	1	
50	DUST HOSE SET (DUST FREE)	BP61305000	1	
51	WRENCH	BP61305100	1	
52	SPACER	BP61305200	1	
53	5/32"SCREW WASHER	0642000000	4	
54	SCREW(M4x16)	BP61305400	1	
55	SCREW(M4)	BP61305500	1	

Professional Duty

5" Orbital Sander Model No: NOS - 5S

SPECIFICATION:

PAD SIZE 5"
 FREE SPEED 9,000 RPM
 AIR INLET 1/4"
 HOSE SIZE 3/8"
 LENGTH 6-3/5" (167MM)
 WEIGHT 2.4 LBS (1.1 KGS)



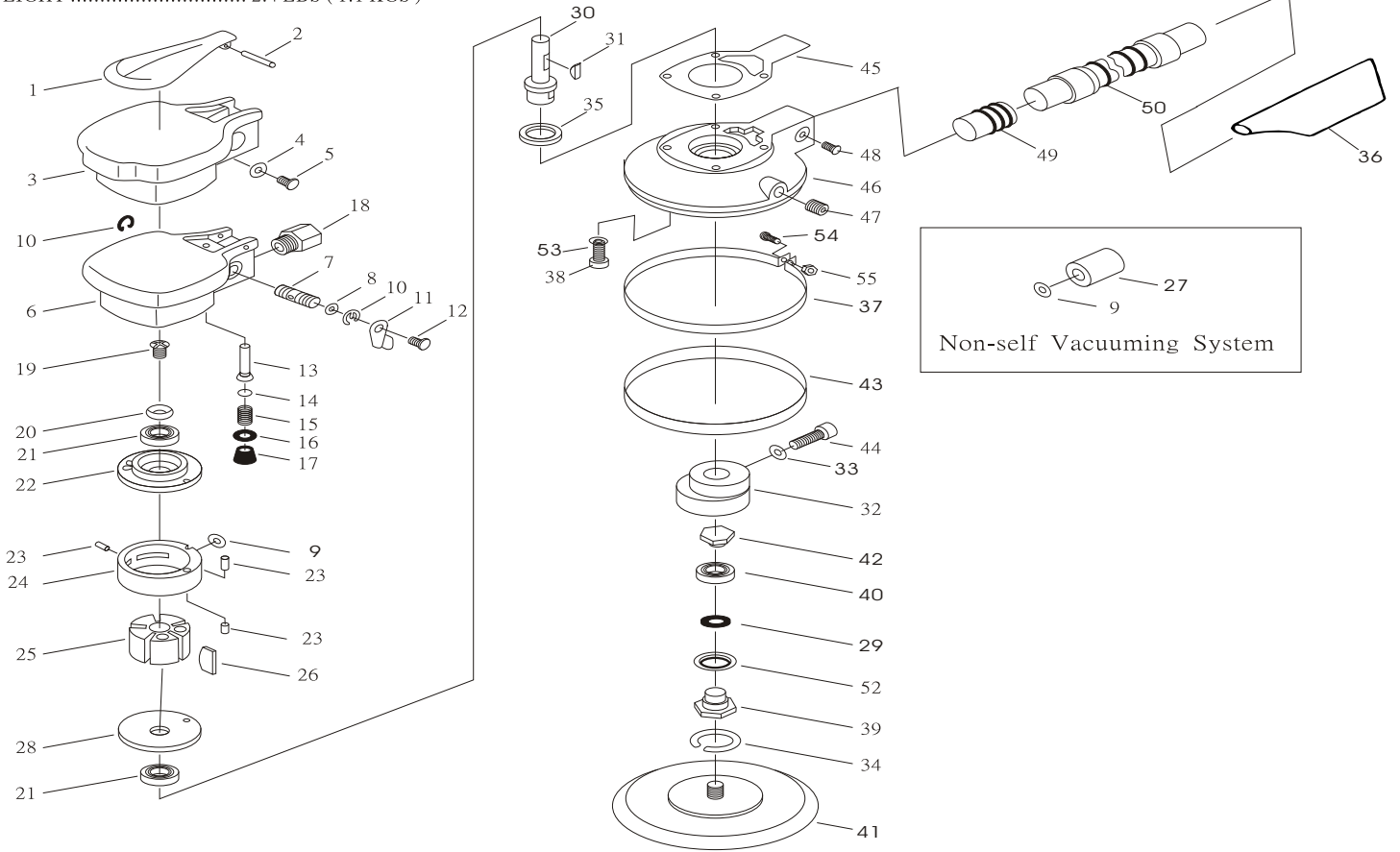
PART LIST :

NO	DESCRIPTION	PART NO	Qty	REMARK
1	VALVE LEVER	BP61300100	1	
2	SPRING PIN(3x25)	C102001600	1	
3	BODY COVER	BP61300300	1	
4	CANICAL WASHER(M3)	BP61300400	2	
5	SCREW(M3x8)	1402000000	2	
6	BODY	BP61300600	1	
7	REGULATOR	BP61300700	1	
8	O-RING (P4)	P4	2	
9	O-RING (P7)	P7	2	
10	RETAINING RING (E7)	BP61301000	2	
11	REGULATOR LEVER	BP61301100	1	
12	SCREW (M4x6)	BP61301200	1	
13	VALVE PIN	BP61301300	1	
14	O-RING(φ4*φ7)	BP61301400	1	
15	VALVE SPRING	BP61301500	1	
16	O-RING (P8)	P8	1	
17	VALVE CAP	BP61301700	1	
18	INLET SCREW	BP61301800	1	
19	SCREW (M6x10)	BP61301900	1	
20	CONICAL WASHER(M6)	BP61302000*1	1	
20	CONICAL WASHER(M6)	BP61302000*2	1	
21	BEARING (6000ZZ)	BP61302100	2	
22	U-BEARING CASE	BP61302200	1	
23	φ3*5PIN	3217000000	3	
24	CYLINDER	BP61302400	1	
25	ROTOR	BP61302500	1	
26	VANE	BP61302600	5	
27	SILENCER	BP61302700	1	
28	L-BEARING CAGE	BP61302800	1	
29	FELT	BP61302900	1	

NO	DESCRIPTION	PART NO	Qty	REMARK
30	ROTOR SHAFT	BP61303000	1	
31	H/R KEY(3x13)	BP61303100	1	
32	RANDOM BALANCER	BP61303200	1	
33	SPRING WASHER(M5)	4050000000	1	
34	SNAP RING(IR28)	BP61303400	1	
35	FELT RING	BP61303500	1	
36	BAG	BP61303600	1	
37	SKIRT BAND	BP61303700	1	
38	SCREW(M4*L16)	0643000000	4	
39	PAD SHAFT	BP61303900	1	
40	BEARING(6001DD)	BP61304000	1	
41A	5" Velero PAD	H-8236	1	
41B	5" PAD	H-8234	1	
41C	6" Velero PAD	H-8279	1	
41D	6" PAD	H-8277	1	
42	SCREW	BP61304200	1	
43	SKIRT(5")	BP61304300	1	
44	CAP SCREW(M5x25)	BP61304400	1	
45	BODY PACKING	BP61304500	1	
46	BASE RING	BP61304600	1	
47	CHOCK PLUG(1/8"PT)	BP61304700	1	
48	SCREW(M4x8)	BP61304800	1	
49	EJECTOR	BP61304900	1	
50	DUST HOSE SET (DUST FREE)	BP61305000	1	
51	WRENCH	BP61305100	1	
52	SPACER	BP61305200	1	
53	5/32"SCREW WASHER	0642000000	4	
54	SCREW(M4x16)	BP61305400	1	
55	SCREW(M4)	BP61305500	1	

SPECIFICATION:

PAD SIZE 5"
 FREE SPEED 9,000 RPM
 AIR INLET 1/4"
 HOSE SIZE 3/8"
 LENGTH 6-3/5" (167M/M)
 WEIGHT 2.4 LBS (1.1 KGS)



PART LIST :

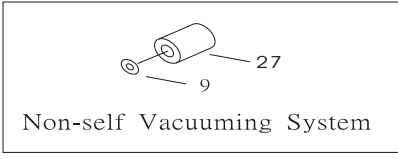
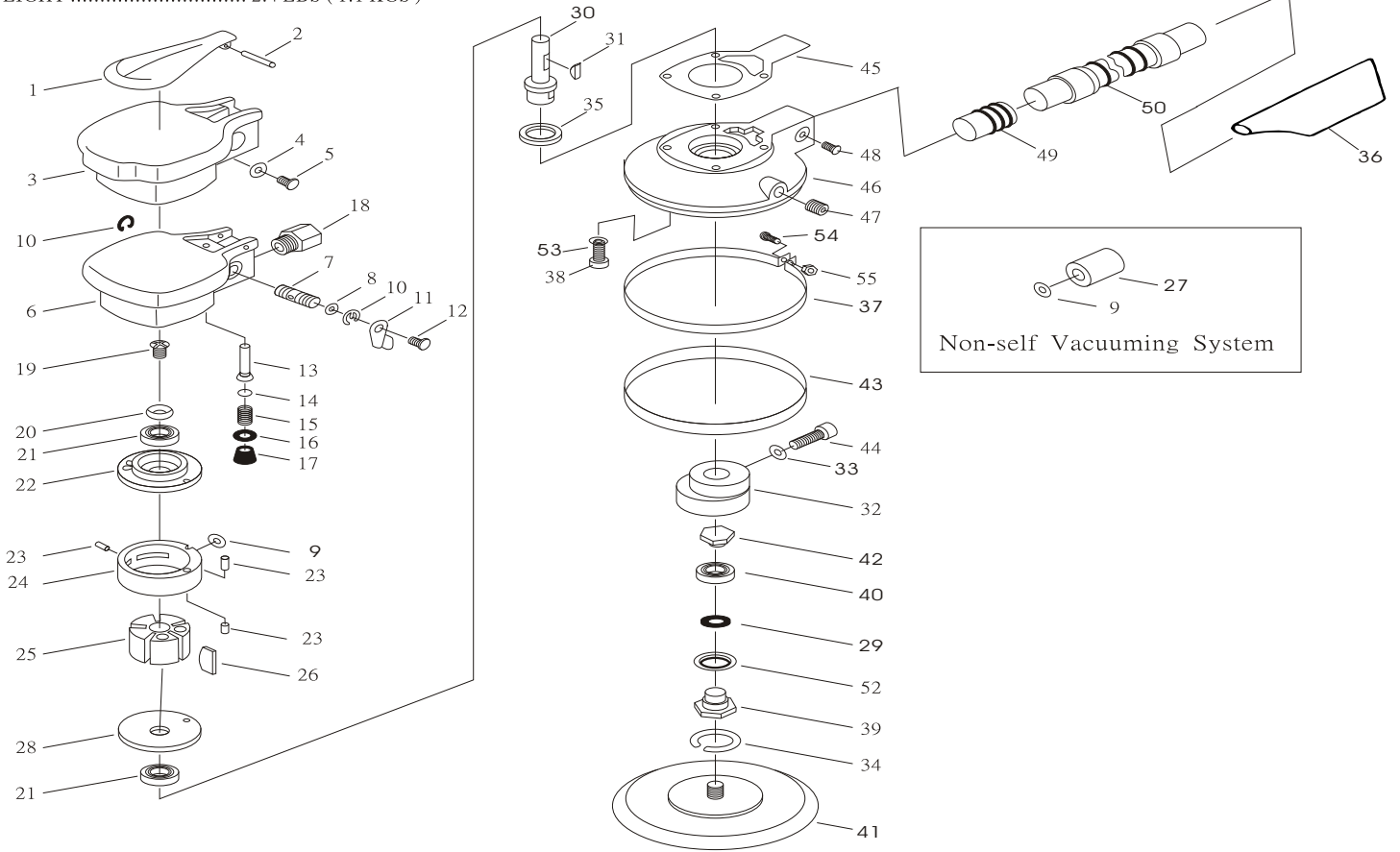
NO	DESCRIPTION	PART NO	Qty	REMARK
1	VALVE LEVER	BP61300100	1	
2	SPRING PIN(3x25)	C102001600	1	
3	BODY COVER	BP61300300	1	
4	CANICAL WASHER(M3)	BP61300400	2	
5	SCREW(M3x8)	1402000000	2	
6	BODY	BP61300600	1	
7	REGULATOR	BP61300700	1	
8	O-RING (P4)	P4	2	
9	O-RING (P7)	P7	2	
10	RETAINING RING (E7)	BP61301000	2	
11	REGULATOR LEVER	BP61301100	1	
12	SCREW (M4x6)	BP61301200	1	
13	VALVE PIN	BP61301300	1	
14	O-RING(φ4*φ7)	BP61301400	1	
15	VALVE SPRING	BP61301500	1	
16	O-RING (P8)	P8	1	
17	VALVE CAP	BP61301700	1	
18	INLET SCREW	BP61301800	1	
19	SCREW (M6x10)	BP61301900	1	
20	CONICAL WASHER(M6)	BP61302000*1	1	
20	CONICAL WASHER(M6)	BP61302000*2	1	
21	BEARING (6000ZZ)	BP61302100	2	
22	U-BEARING CASE	BP61302200	1	
23	φ3*5PIN	3217000000	3	
24	CYLINDER	BP61302400	1	
25	ROTOR	BP61302500	1	
26	VANE	BP61302600	5	
27	SILENCER	BP61302700	1	
28	L-BEARING CAGE	BP61302800	1	
29	FELT	BP61302900	1	

NO	DESCRIPTION	PART NO	Qty	REMARK
30	ROTOR SHAFT	BP61303000	1	
31	H/R KEY(3x13)	BP61303100	1	
32	RANDOM BALANCER	BP61303200	1	
33	SPRING WASHER(M5)	4050000000	1	
34	SNAP RING(IR28)	BP61303400	1	
35	FELT RING	BP61303500	1	
36	BAG	BP61303600	1	
37	SKIRT BAND	BP61303700	1	
38	SCREW(M4*L16)	0643000000	4	
39	PAD SHAFT	BP61303900	1	
40	BEARING(6001DD)	BP61304000	1	
41A	5" Velero PAD	H 8236	1	
41B	5" PAD	H 8234	1	
41C	6" Velero PAD	H 8279	1	
41D	6" PAD	H 8277	1	
42	SCREW	BP61304200	1	
43	SKIRT(5")	BP61304300	1	
44	CAP SCREW(M5x25)	BP61304400	1	
45	BODY PACKING	BP61304500	1	
46	BASE RING	BP61304600	1	
47	CHOCK PLUG(1/8"PT)	BP61304700	1	
48	SCREW(M4x8)	BP61304800	1	
49	EJECTOR	BP61304900	1	
50	DUST HOSE SET (DUST FREE)	BP61305000	1	
51	WRENCH	BP61305100	1	
52	SPACER	BP61305200	1	
53	5/32"SCREW WASHER	0642000000	4	
54	SCREW(M4x16)	BP61305400	1	
55	SCREW(M4)	BP61305500	1	



SPECIFICATION:

PAD SIZE 5"
 FREE SPEED 9,000 RPM
 AIR INLET 1/4"
 HOSE SIZE 3/8"
 LENGTH 6-3/5" (167M/M)
 WEIGHT 2.4 LBS (1.1 KGS)



PART LIST :

NO	DESCRIPTION	PART NO	Qty	REMARK
1	VALVE LEVER	BP61300100	1	
2	SPRING PIN(3x25)	C102001600	1	
3	BODY COVER	BP61300300	1	
4	CANICAL WASHER(M3)	BP61300400	2	
5	SCREW(M3x8)	1402000000	2	
6	BODY	BP61300600	1	
7	REGULATOR	BP61300700	1	
8	O-RING (P4)	P4	2	
9	O-RING (P7)	P7	2	
10	RETAINING RING (E7)	BP61301000	2	
11	REGULATOR LEVER	BP61301100	1	
12	SCREW (M4x6)	BP61301200	1	
13	VALVE PIN	BP61301300	1	
14	O-RING(φ4*φ7)	BP61301400	1	
15	VALVE SPRING	BP61301500	1	
16	O-RING (P8)	P8	1	
17	VALVE CAP	BP61301700	1	
18	INLET SCREW	BP61301800	1	
19	SCREW (M6x10)	BP61301900	1	
20	CONICAL WASHER(M6)	BP61302000*1	1	
20	CONICAL WASHER(M6)	BP61302000*2	1	
21	BEARING (6000ZZ)	BP61302100	2	
22	U-BEARING CASE	BP61302200	1	
23	φ3*5PIN	3217000000	3	
24	CYLINDER	BP61302400	1	
25	ROTOR	BP61302500	1	
26	VANE	BP61302600	5	
27	SILENCER	BP61302700	1	
28	L-BEARING CAGE	BP61302800	1	
29	FELT	BP61302900	1	

NO	DESCRIPTION	PART NO	Qty	REMARK
30	ROTOR SHAFT	BP61303000	1	
31	H/R KEY(3x13)	BP61303100	1	
32	RANDOM BALANCER	BP61303200	1	
33	SPRING WASHER(M5)	4050000000	1	
34	SNAP RING(IR28)	BP61303400	1	
35	FELT RING	BP61303500	1	
36	BAG	BP61303600	1	
37	SKIRT BAND	BP61303700	1	
38	SCREW(M4*L16)	0643000000	4	
39	PAD SHAFT	BP61303900	1	
40	BEARING(6001DD)	BP61304000	1	
41A	5" Velero PAD	H 8236	1	
41B	5" PAD	H 8234	1	
41C	6" Velero PAD	H 8279	1	
41D	6" PAD	H 8277	1	
42	SCREW	BP61304200	1	
43	SKIRT(5")	BP61304300	1	
44	CAP SCREW(M5x25)	BP61304400	1	
45	BODY PACKING	BP61304500	1	
46	BASE RING	BP61304600	1	
47	CHOCK PLUG(1/8"PT)	BP61304700	1	
48	SCREW(M4x8)	BP61304800	1	
49	EJECTOR	BP61304900	1	
50	DUST HOSE SET (DUST FREE)	BP61305000	1	
51	WRENCH	BP61305100	1	
52	SPACER	BP61305200	1	
53	5/32"SCREW WASHER	0642000000	4	
54	SCREW(M4x16)	BP61305400	1	
55	SCREW(M4)	BP61305500	1	