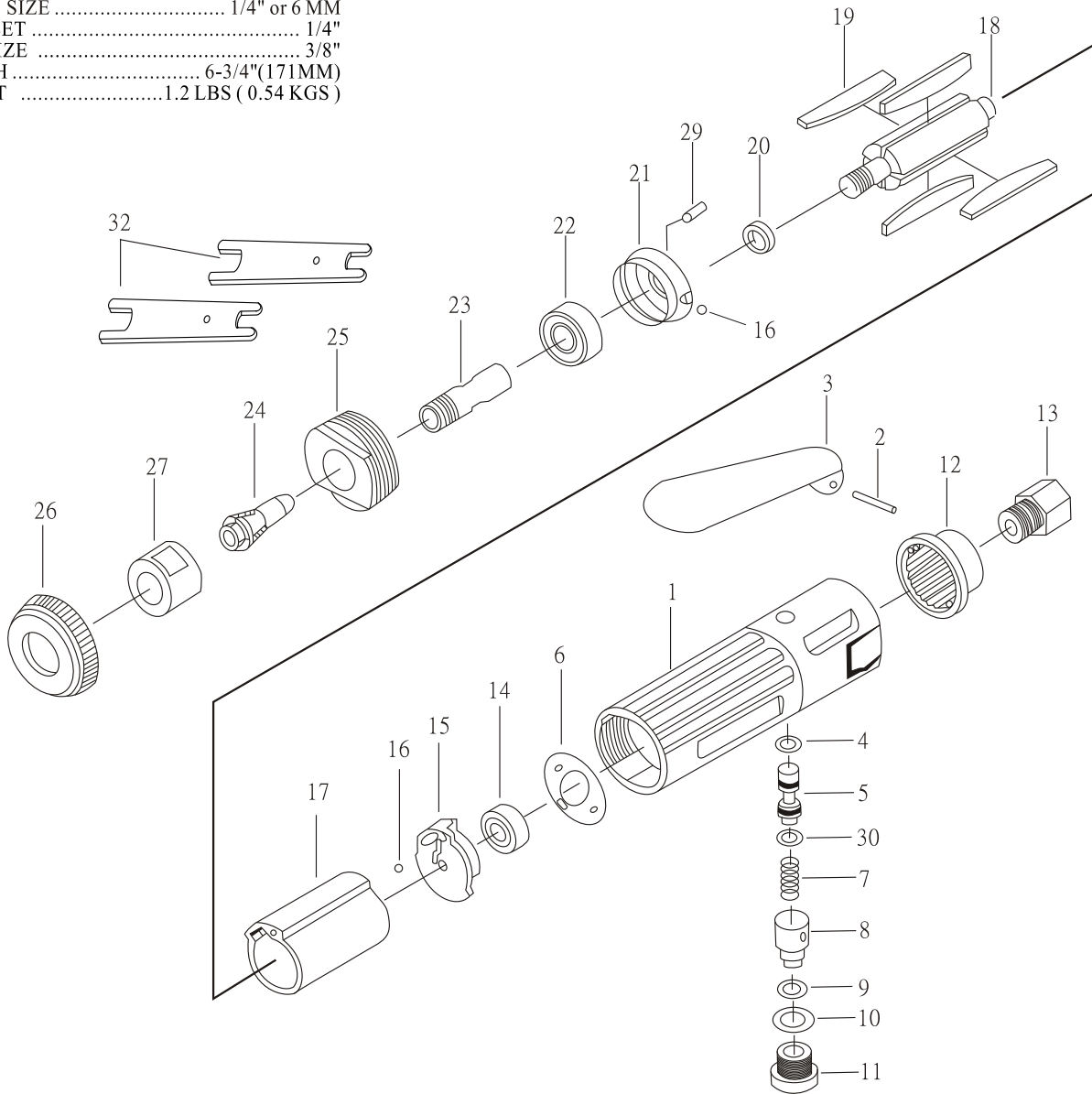


Professional Duty

Air Die Grinder Model No: NG - 6S

SPECIFICATION:

FREE SPEED 20,000 RPM
 CHUCK SIZE 1/4" or 6 MM
 AIR INLET 1/4"
 HOSE SIZE 3/8"
 LENGTH 6-3/4"(171MM)
 WEIGHT 1.2 LBS (0.54 KGS)



PART LIST:

NO	DESCRIPTION	PART NO.	Q'TY	REMARK
1	MOTOR HOUSING	BP51101001	1	
2	LEVER PIN	BP51102001	1	
3	LEVER	BP51103001	1	
4	P4 O-RING	P4	1	
5	THROTTLE VALVE	BP51105001	1	
6	CLOSE WASHER	BP51106001	1	
7	VALVE SPRING	BP51107001	1	
8	AIR REGULATOR	BP51108001	1	
9	P7 O-RING	P7	1	
10	P12 O-RING	P12	1	
11	VALVE SCREW	BP51111001	1	
12	EXHAUST DEFLECTOR	BP51112001	1	
13	AIR INLET	BP51113001	1	
14	BEARING	3527000000	1	
15	REAR BEARING PLATE	BP51115001	1	
16	φ 2.5MM STEEL BALL	BP51116001	2	
17	CYLINDER	BP51117001	1	

NO	DESCRIPTION	PART NO.	Q'TY	REMARK
18	ROTOR	BP51118001	1	
19	ROTOR BLADE	BP51119001	4	
20	ROTOR COLLET	BP51120001	1	
21	FRONT BEARING PLATE	BP51121001	1	
22	BEARING	0422000000	1	
23	SPINDLE	BP51123001	1	
24	3MM COLLET	BP51124011	1	
	6MM COLLET	BP51124021		
	1/8" COLLET	BP51124031		
	1/4" COLLET	BP51124041		
25	NUT	BP51125001	1	
26	CAP	BP51126001	1	
27	COLLET NUT	BP51127001	1	
29	LOCATING PIN	BP51129001	1	
30	P5 O-RING	P5	1	
32	SPANNER	BP51132001	2	