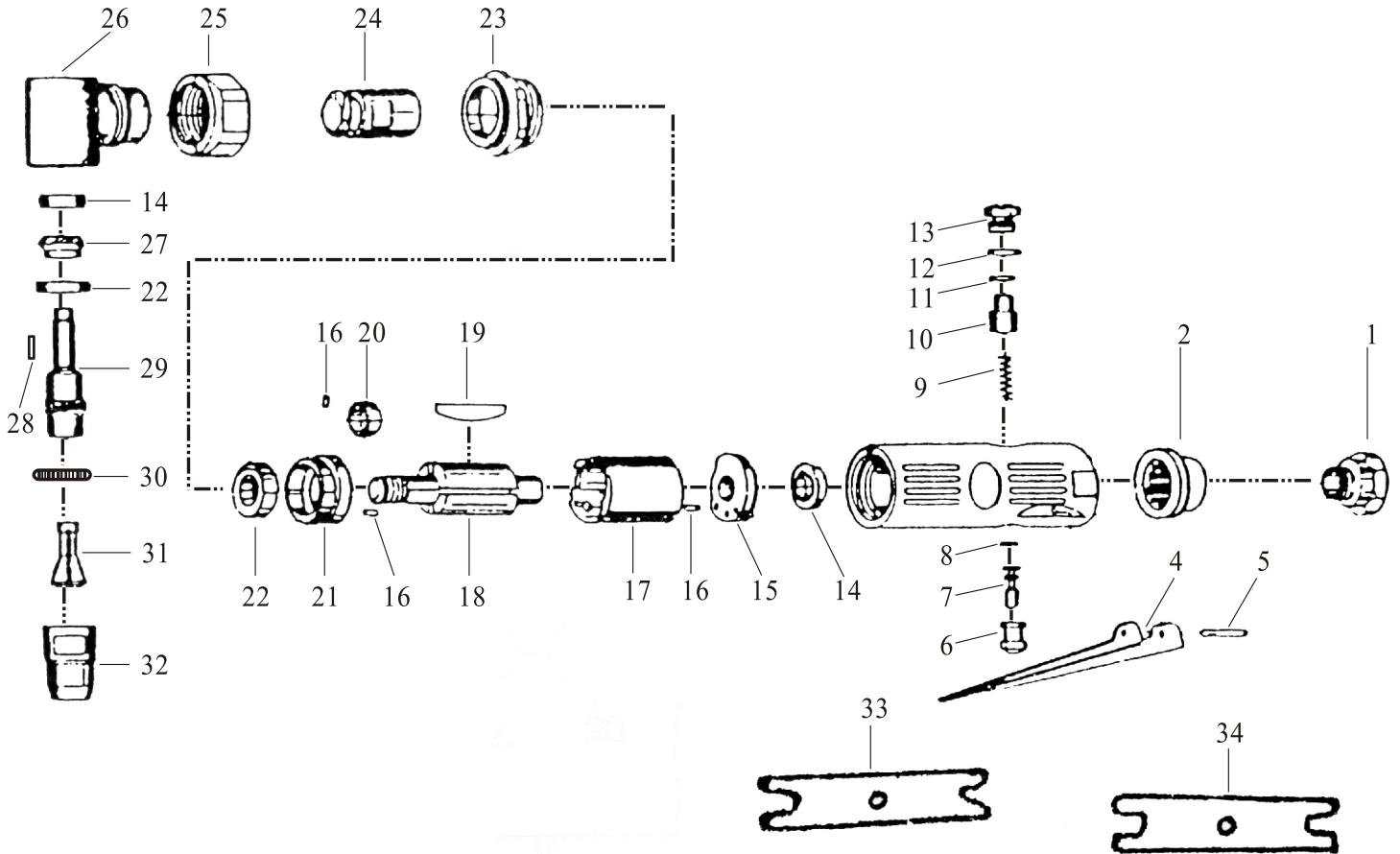


1/4" Air Angle Die Grinder Model No.: NG - 6C

SPECIFICATION:

FREE SPEED 25,000 RPM
 CHUCK SIZE 6MM or 1/4"(6.35MM)
 AIR INLET 1/4"
 HOSE SIZE 3/8"
 LENGTH 5-3/4" (146 MM)
 WEIGHT 1.0 LBS (0.46 KG)



PART LIST :

NO.	DESCRIPTION	PART NO.	Q'TY	REMARK
1	INLET	BP514001KL	1	
2	END CAP	BP514002KL	1	
3	BODY WITH BUSHING	BP514003KL	1	
4	CONTROL LEVER	BP514004KL	1	
5	SPRING PIN	BP514005KL	1	
6	BUSH	BP514006KL	1	
7	VALVE	BP514007KL	1	
8	O-RING	BP514008KL	1	
9	SPRING	BP514009KL	1	
10	SPEED	BP514010KL	1	
11	O-RING	BP514011KL	1	
12	O-RING	BP514012KL	1	
13	VALVE	BP514013KL	1	
14	BALL BEARING	BP514014KL	2	
15	REAR END PLATE	BP514015KL	1	
16	SPRING PIN	BP514016KL	3	
17	CYLINDER	BP514017KL	1	

NO.	DESCRIPTION	PART NO.	Q'TY	REMARK
18	ROTOR	BP514018KL	1	
19	VANE	BP514019KL	4	
20	BUSH	BP514020KL	1	
21	FRONT PLATE	BP514021KL	1	
22	BALL BEARING	BP514022KL	2	
23	NIPPLE	BP514023KL	1	
24	BEVEL GEAR	BP514024KL	1	
25	NUT	BP514025KL	1	
26	ANGLE HEAD	BP514026KL	1	
27	BEVEL GEAR	BP514027KL	1	
28	KEY	BP514028KL	1	
29	CHUCK CASING	BP514029KL	1	
30	BEARING CAP	BP514030KL	1	
31	COLLET	BP514031KL	1	
32	COLLET NUT	BP514032KL	1	
33	SPANNER	BP514033KL	1	
34	SPANNER	BP514034KL	1	