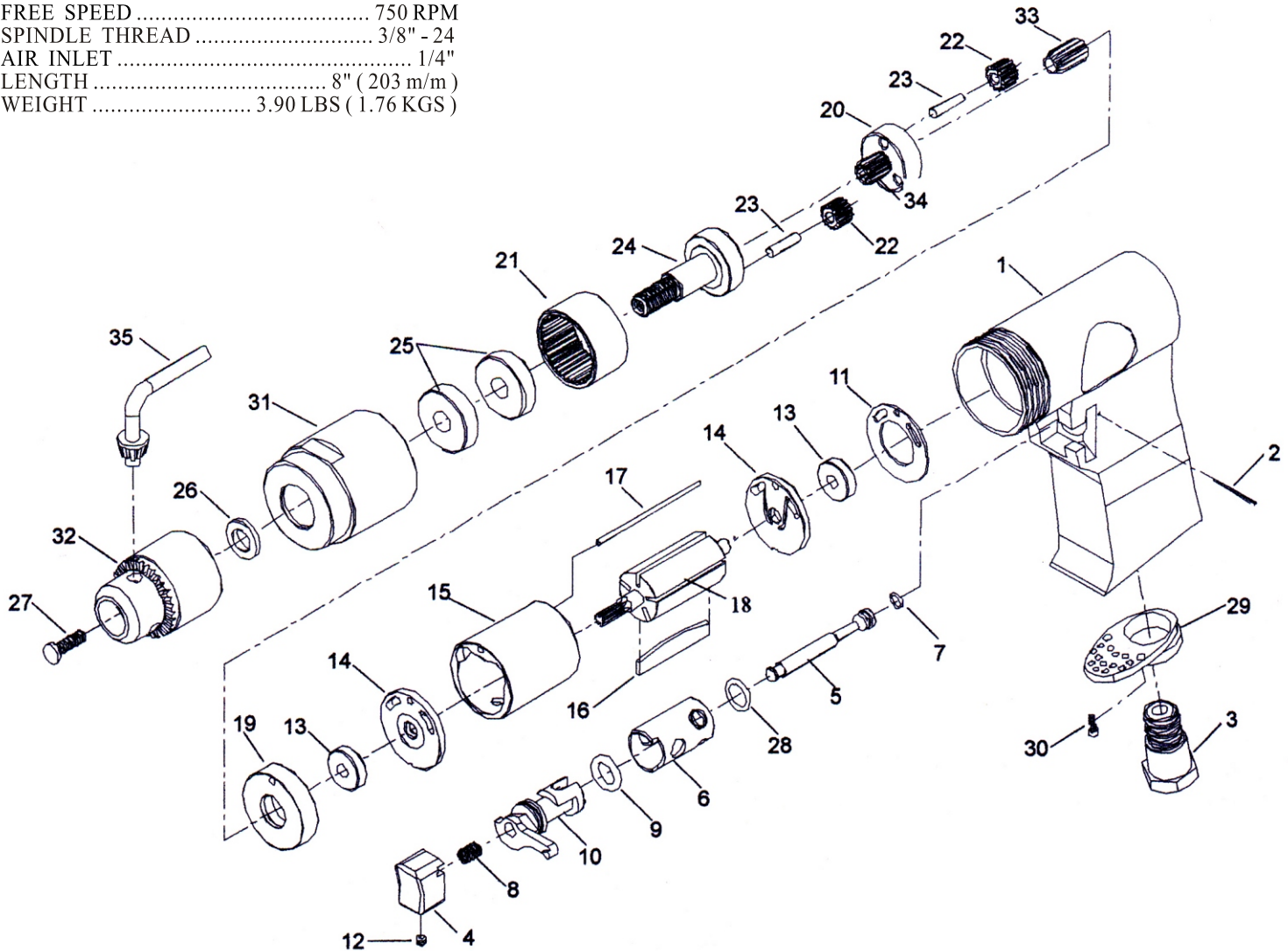


## Professional Duty

## 1/2" Reversible Air Drill Model No: NDR - 13R

### SPECIFICATION:

CHUCK SIZE ..... 1/2"  
 DRILL CAPACITY ..... 6 ~ 13 m/m  
 FREE SPEED ..... 750 RPM  
 SPINDLE THREAD ..... 3/8" - 24  
 AIR INLET ..... 1/4"  
 LENGTH ..... 8" (203 m/m)  
 WEIGHT ..... 3.90 LBS (1.76 KGS)



### PART LIST:

NO	DESCRIPTION	PART NO	Qty	REMARK
1	HOUSING	BP40500100	1	
2	SPRING PIN	BP40403100	1	
3	AIR INLET	BP40402900	1	
4	TRIGGER	BP40402400	1	
5	VALVE STEM	BP40500500	1	
6	REVERSE BUSHING	BP40500600	1	
7	O-RING	BP40500700	1	
8	VALVE SPRING	BP40500800	1	
9	O-RING	BP40402300	1	
10	REVERSE LEVER	BP40501000	1	
11	MOTOR GASKET	BP40501100	1	
12	SET SCREW	BP40402500	1	
13	BALL BEARING	BP40400200	2	
14	END PLATE	BP40501400	2	
15	CYLINDER	BP40501500	1	
16	ROTOR BLADES	BP40400800	5	
17	PIN	BP40501700	1	
18	ROTOR	BP40501800	1	

NO	DESCRIPTION	PART NO	Qty	REMARK
19	SPACER	BP40501900	1	
20	PLANET GEAR PLATE (1/2")	BP40403200	2	
21	GEAR LINK (1/2")	BP40401200	2	
22	PLANET GEAR (1/2")	BP40401300	6	
23	PIN (1/2")	BP40401400	6	
24	PLANET LINK SPINDLE (1/2")	BP40502400	1	
25	BALL BEARING	BP40401600	2	
26	WASHER	BP40402600	1	
27	CHUCK SCREW	BP40502700	2	
28	O-RING	BP40502800	1	
29	EXHAUST DIFFUSER	BP40402700	1	
30	SCREW	BP40402800	2	
31	CLAMP NUT (1/2")	BP40401700	1	
32	DRILL CHUCK	BP40403000	1	
33	GEAR (1/2")	BP40403300	1	
34	GEAR (1/2")	BP40403400	1	
35	CHUCK KEY	BP40403700	1	