

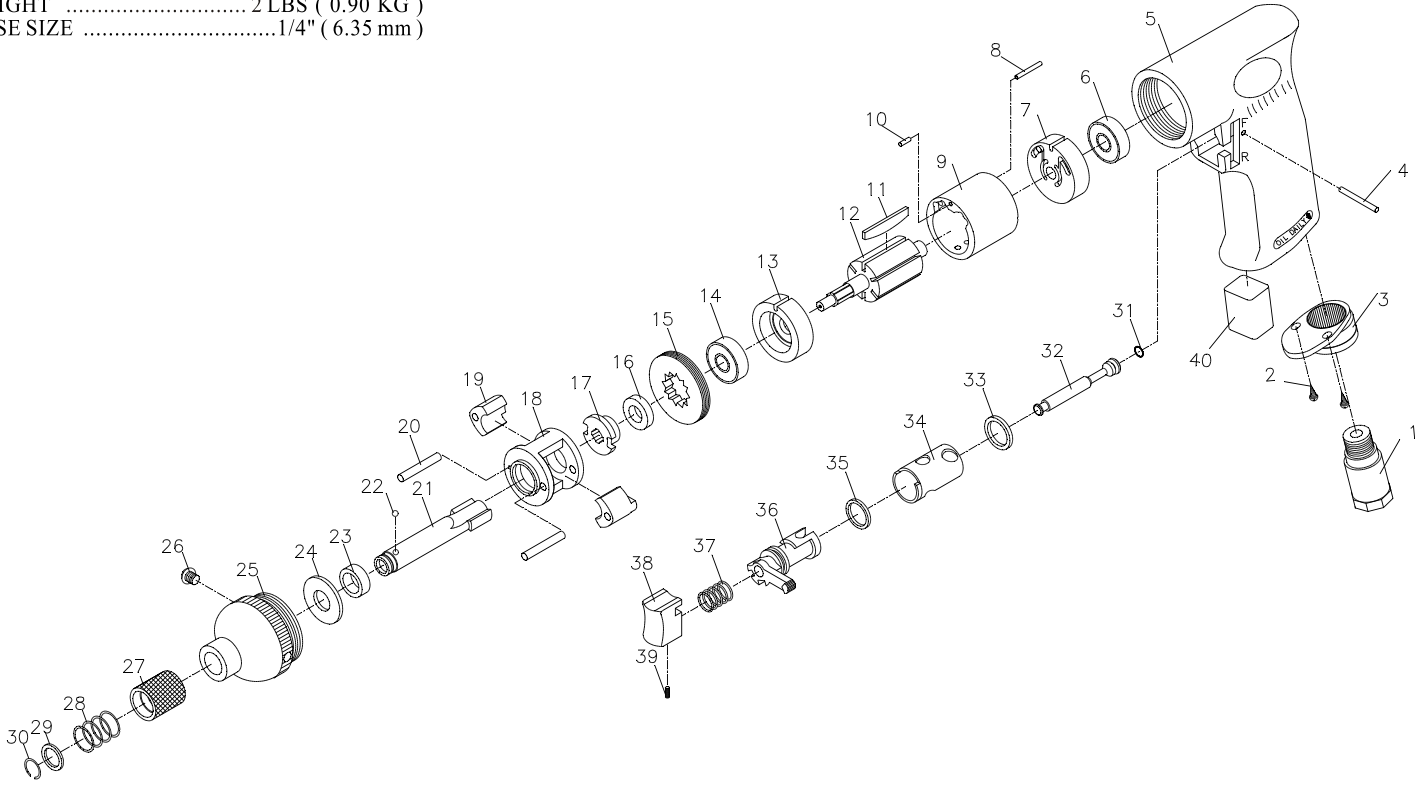
Professional Duty

1/4" Air Screwdriver

Model No: ND - 7PQ

SPECIFICATION:

INTERNAL HEX 1/4" (6.35 mm)
 FREE SPEED 10,500 RPM
 MAX TORQUE 20 FT-LBF
 AIR INLET 1/4" (6.35 mm)
 LENGTH 5-1/2" (140 mm)
 WEIGHT 2 LBS (0.90 KG)
 HOSE SIZE 1/4" (6.35 mm)



PARTS LIST:

NO	DESCRIPTION	PARTS NO	Qty	REMARK
1	AIR INLET	1401000000	1	
2	SELF-TAPPING SCREW	1402000000	2	
3	EXHAUST DEFLECTOR	1403000000	1	
4	φ 2.5X25 PIN	1404000000	1	
5	HOUSING	1405000000	1	
6	608 BEARING	1123000000	1	
7	REAR PLATE	1407000000	1	
8	φ 2X18.8 PIN	1408000000	1	
9	CYLINDER	1409000000	1	
10	φ 2X6 PIN	1410000000	1	
11	BLADE	1126000000	6	
12	ROTOR	1127000000	1	
13	FRONT PLATE	1413000000	1	
14	608 BEARING	1123000000	1	
15	NUT	1130000000	1	
16	WASHER	1131000000	1	
17	CAM	1132000000	1	
18	HAMMER HOUSING	1133000000	1	
19	HAMMER	1134000000	2	
20	φ 4.0 PIN	1135000000	2	
21	ANVIL	1421000000	1	
22	φ 4 STEEL BALL	0424000000	1	
23	COLLAR	1139000000	1	
24	WASHER	1140000000	1	
25	HOUSING CAP	1425000000	1	
25A	SLEEVE	1181000000	1	
26	SCREW	1426000000	1	

NO	DESCRIPTION	PARTS NO	Qty	REMARK
27	SPRING SEAT	1427000000	1	
28	SPRING	0645000000	1	
29	WASHER	1429000000	1	
30	CIRCLET	1430000000	1	
31	P5 O-RING	P5	1	
32	TRIGGER ROD	1432000000	1	
33	φ 14X φ 18XP2 O-RING	1433000000	1	
34	THROTTLE BOSH	1434000000	1	
35	φ 11.9X φ 18XP1.6 O-RING	1435000000	1	
36	REVERSE VALVE	1436000000	1	
37	SPRING	1437000000	1	
38	TRIGGER	1438000000	1	
39	M4X8L SCREW	1439000000	1	
40	SILENCER	1440000000	1	

K1	QUICK RELEASE CHUCK KIT	K142700000	1SET	
K2	CLUTCH MECHANISM KIT	K142100000	1SET	
K3	MOTOR ASSEMBLY KIT	K140900000	1SET	
K4	PARTS ASSEMBLY KIT	K140200000	1SET	
K5	TRIGGER VALVE KIT	K143600000	1SET	
K6	TRIGGER BUTTON KIT	K143800000	1SET	
K1	21,22,27,28,29,30			
K2	16,17,18,19,20,21,22,23,24			
K3	6,7,8,9,10,11,12,13,14			
K4	2,4,8,10,22,24,26,30,31,33,35,37,39,40			
K5	4,31,32,33,34,35,36			
K6	37,38,39			

★To get maximum performance and life of your tool, to replace the whole set of Parts Kit is highly recommended. And we hold the right to change or modify the parts and specifications without notice.