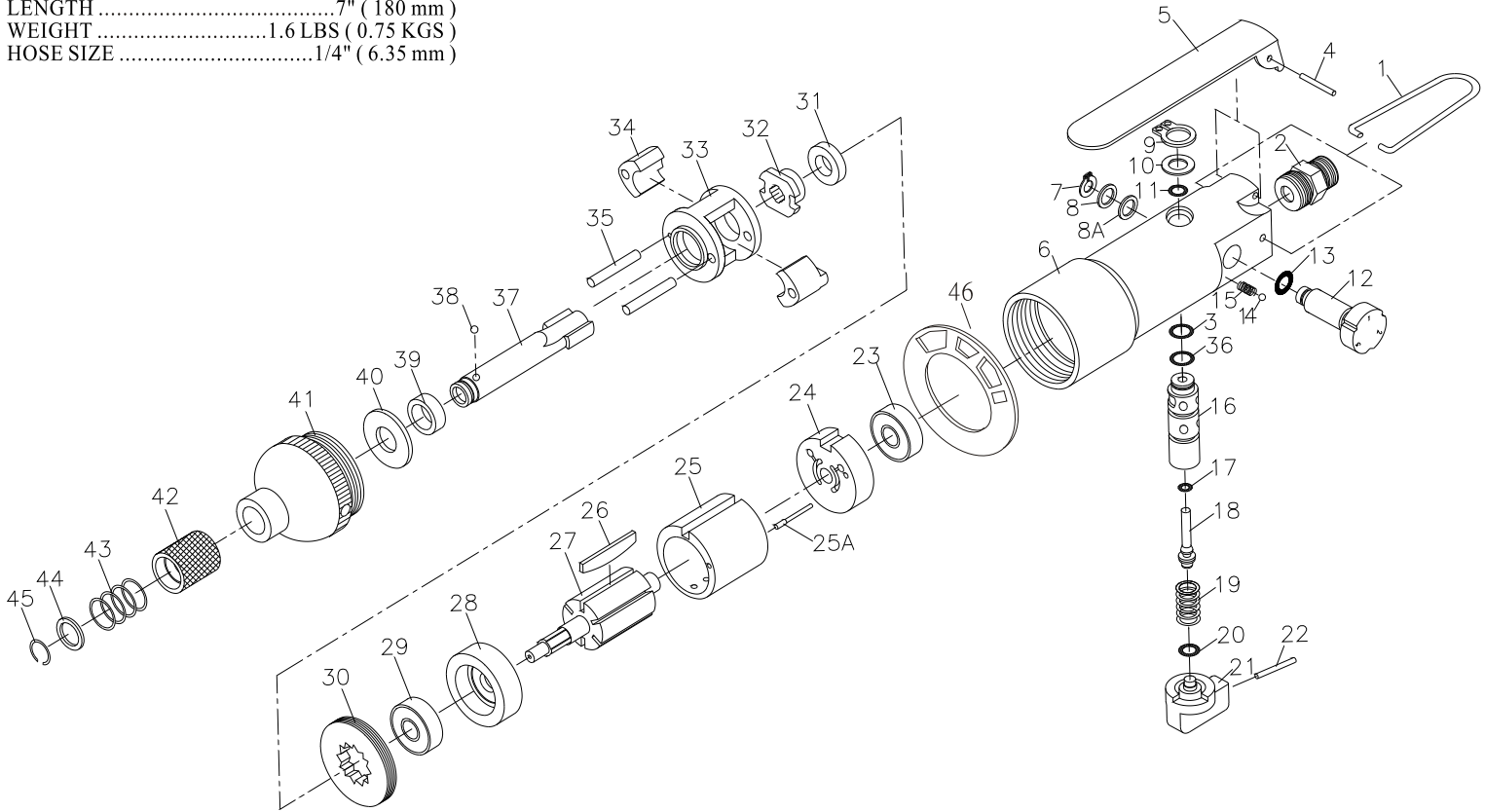


Professional Duty

1/4" Air Screwdriver Model No: ND-6HQ

SPECIFICATION:

INTERNAL HEX 1/4" (6.35 mm)
 FREE SPEED 8,000 RPM
 MAX TORQUE 20 FT-LBF
 AIR INLET 1/4" (6.35 mm)
 LENGTH 7" (180 mm)
 WEIGHT 1.6 LBS (0.75 KGS)
 HOSE SIZE 1/4" (6.35 mm)



PARTS LIST :

NO	DESCRIPTION	PARTS NO	Qty	REMARK
1	HOOK	110100000L	1	
2	INLET BUSHING	1102000000	1	
3	P7 O-RING	P7	1	
4	φ 2.5X22 PIN	0425000000	1	
5	SWITCH LEVER	110500000N	1	
6	HOUSING	110600000S	1	
7	"C" RETAINING RING	0421000000	1	
8	WASHER	1108000000	1	
8A	WASHER	111200000W	1	
9	"C" RETAINING RING	0426000000	1	
10	WASHER	1110000000	1	
11	S10 O-RING	1116000000	1	
12	REGULATOR	1112000000	1	
13	P6 O-RING	P6	2	
14	1/8" STEEL BALL	0420000000	1	
15	SPRING	0423000000	1	
16	THROTTLE BUSHING	1116000000	1	
17	P3 O-RING	P3	1	
18	THROTTLE PIN	1118000000	1	
19	SPRING	1119000000	1	
20	P5 O-RING	P5	1	
21	REVERSE VALVE	1121000000	1	
22	φ 2X18 PIN	0432000000	1	
23	608 BEARING	1123000000	1	
24	REAR PLATE	1124000000	1	
25	CYLINDER	1125000000	1	
25A	SPRING PIN φ 1.5xL18	0436000000	1	
26	BLADE	1126000000	6	
27	ROTOR	1127000000	1	
28	FRONT PLATE	1128000000	1	

NO	DESCRIPTION	PARTS NO	Qty	REMARK
29	608 BEARING	1123000000	1	
30	NUT	1130000000	1	
31	WASHER	1131000000	1	
32	CAM	113200000N	1	
33	HAMMER HOUSING	1133000000	1	
34	HAMMER	1134000000	2	
35	φ 4.0 PIN	1135000000	2	
36	P7 O-RING	P7	1	
37	ANVIL	1421000000	1	
38	φ 4.0 STEEL BALL	0614000000	1	
39	COLLAR	1139000000	1	
40	WASHER	1140000000	1	
41	HOUSING CAP	114100000B	1	
42	SPRING SEAT	1427000000	1	
43	SPRING	0645000000	1	
44	WASHER	1429000000	1	
45	CIRCLET	1430000000	1	
46	GASKET	1142000000	1	
K1	QUICK RELEASE CHUCK KIT	K142700000	1SET	
K2	CLUTCH MECHANISM KIT	K142100000	1SET	
K3	MOTOR ASSEMBLY KIT	K112500000	1SET	
K4	PARTS ASSEMBLY KIT	K042500000	1SET	
K5	F/R THROTTLE KIT	K111600000	1SET	
K6	REGULATOR KIT	K111200000	1SET	
K1	37,38,42,43,44,45			
K2	31,32,33,34,35,37,38,39,40			
K3	23,24,25,26,27,28,29			
K4	3,4,7,8,8A,9,10,11,13,14,15,16,17,19,20,22,25A,36,38,40,45			
K5	3,9,10,11,16,17,18,19,20,21,22,36			
K6	7,8,8A,12,13,14,15			

★To get maximum performance and life of your tool, to replace the whole set of Parts Kit is highly recommended. And we hold the right to change or modify the parts and specifications without notice.