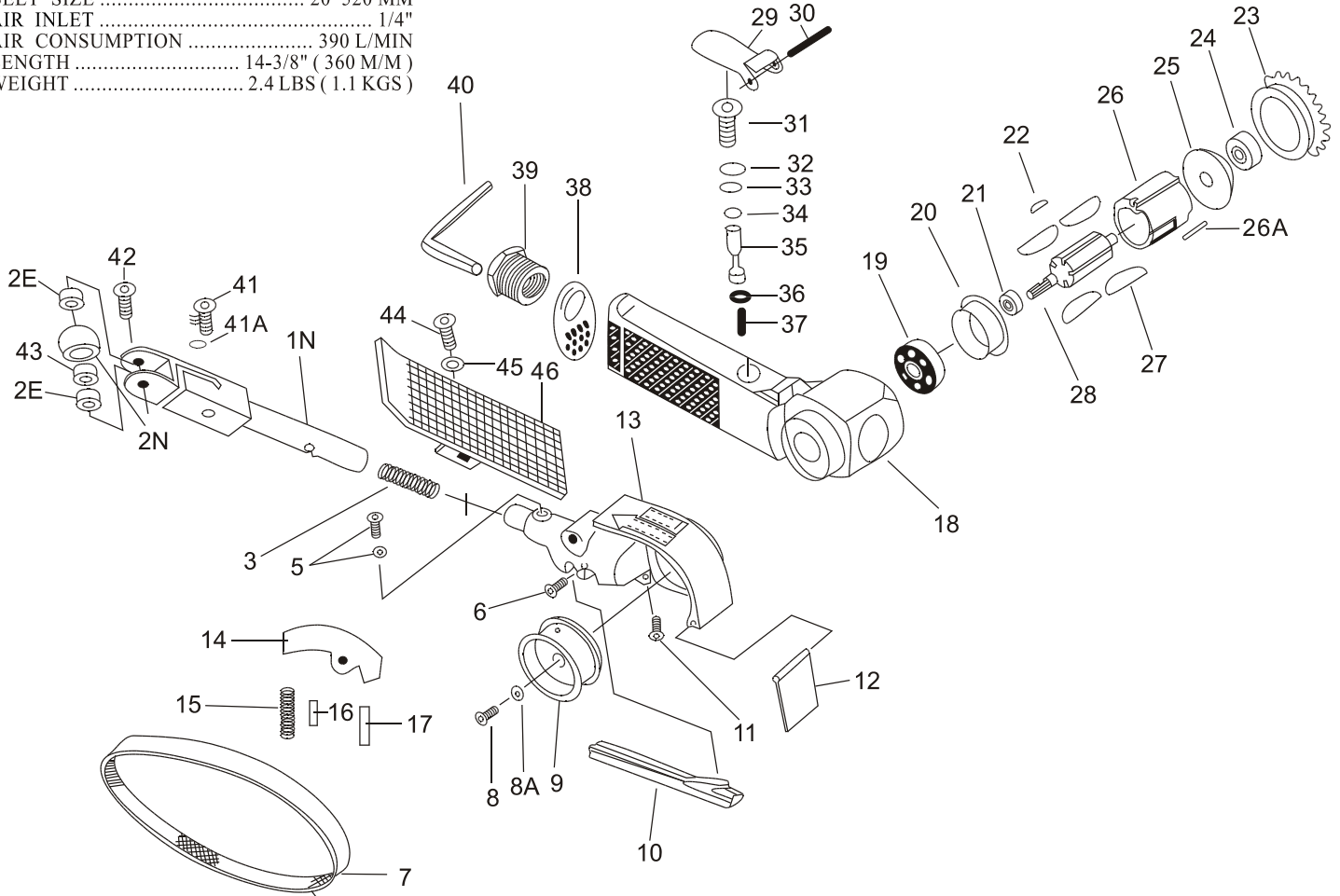


Professional Duty

Air Belt Sander Model No.:NBS-20B

SPECIFICATION:

FREE SPEED 16,000 RPM
 BELT SIZE 20*520 MM
 AIR INLET 1/4"
 AIR CONSUMPTION 390 L/MIN
 LENGTH 14-3/8" (360 M/M)
 WEIGHT 2.4 LBS (1.1 KGS)



PART LIST:

NO	DESCRIPTION	PARTS NO	Qty	REMARK
1N	IDLE PULLEY BRACKET SUB ASSY	BP311N001N	1	
2	IDLE PULLEY SET (2N,2E,43)	BP311N0020	1	
2N	IDLE PULLEY	BP311N002N	1	
2E	BALL BEARING 686ZZ	BPBB068620	2	
3	SPRING	BP03110030	1	
5	HEX. SOCKET HEAD BOLT (M5×8) & CUP SPRING (M5)	BP03110050	1 SET	
6	HEX. SOCKET HEAD BOLT (5×12)	BP03110060	1	
7	GRINDING BELT (#100)	BP03110070	1	
	GRINDING BELT (#80)	BP0311007A	1	
8	HEX. SOCKET HEAD BOLT (6×16)	BP03110080	1	
8A	WASHER	BP0311008A	1	
9	DRIVE PULLEY	BP03110090	1	
10	FLAT SHOE	BP03110100	1	
11	HEX. SOCKET HEAD BOLT (5×15)	BP2-0515A	1	
12	DUST COVER	BP03110120	1	
13	GUARD BODY	BP03110130	1	
14	TENSION BAR	BP03110140	1	
15	SPRING	BP03110150	1	
16	LEVER PIN (2 x 6)	BP03110160	1	
17	LEVER PIN (2 x 8)	BP03110170	1	
18	HOUSING	BP03110180	1	
19	BALL BEARING (R6ZZ)	BPBB-R6200	1	
20	END PLATE B	BP03110200	1	
21	SPACER 10 x 13 x 3	BP03110210	1	
22	SUNK KEY 2 x 2.5 x 10	BP03110220	1	

NO	DESCRIPTION	PARTS NO	Qty	REMARK
23	CAP	BP03110230	1	
24	BALL BEARING 626ZZ	BP03110240	1	
25	END PLATE A	BP03110250	1	
26	CYLINDER	BP03110260	1	
26A	PIN (3 x 6)	BPSP-30060	1	
27	BLADE	BP03110270	5	
28	ROTOR	BP03110280	1	
29	THROTTLE LEVER	BP03110290	1	
30	LEVER PIN (Φ 3 x 23)	BP03110300	1	
31	VALVE BODY	BP309A0310	1	
32	O-RING (P9)	P9	1	
33	O-RING (P9)	P9	1	
34	O-RING (P5)	P5	1	
35	VALVE STEM	BP309A0350	1	
36	O-RING (3.6 X 2.4)	BP03110360	1	
37	VALVE SPRING	BP309A0370	1	
38	DEFLECTOR	BP309A0380	1	
39	AIR INLET	BP03110390	1	
40	HEXAGON WRENCH KEY 4	BP03110400	1	
41	SCREW	BP311N0410	1	
41A	C-CLIPER	BP311N041A	1	
42	IDLE PULLEY SCREW	BP311N0420	1	
43	WASHER	BP311N0430	1	
44	SCREW	BPB20616A0	1	
45	SPRING WASHER(AW6)	BPTWA06000	1	
46	FINGER PAD ASSY	BP31100400	1	