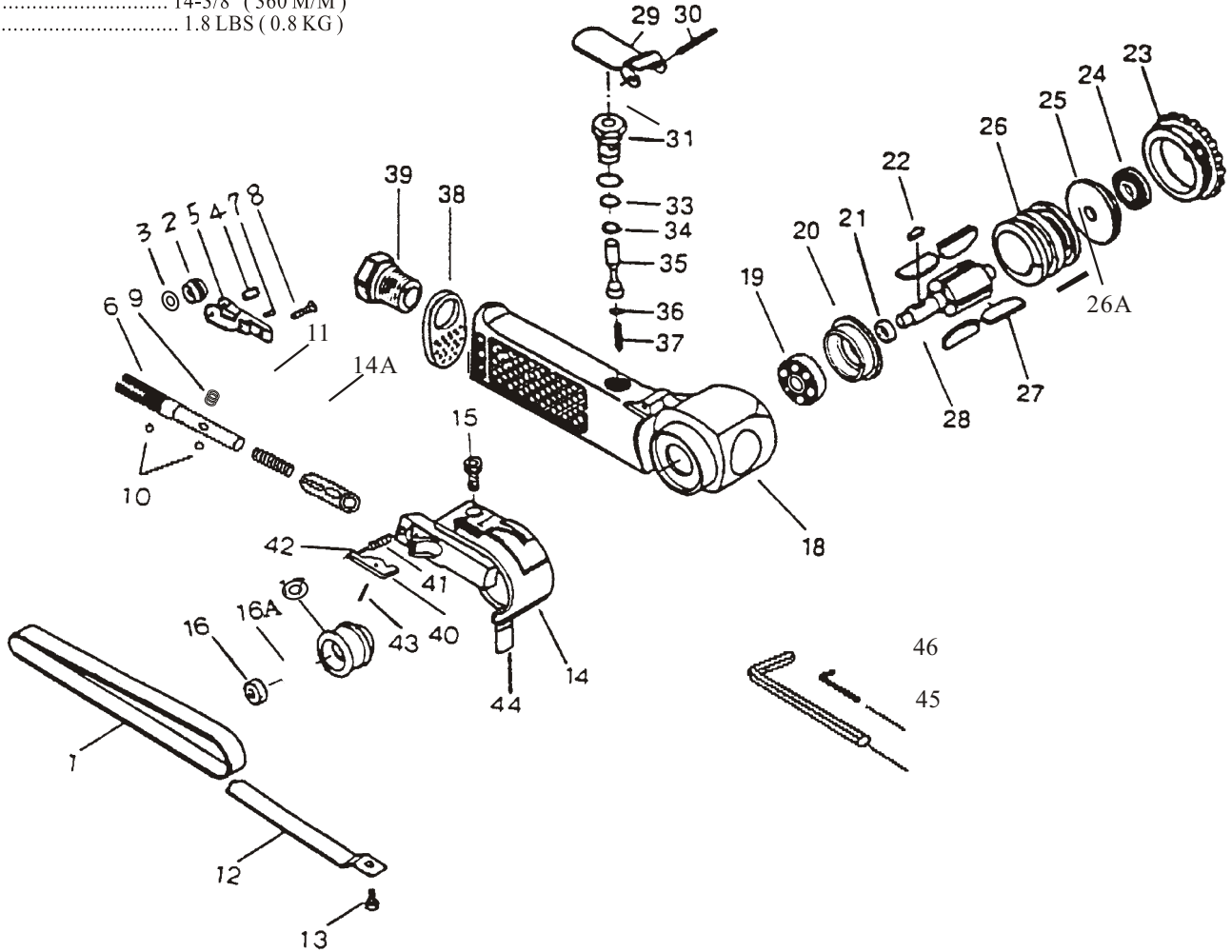


Professional Duty

Air Belt Sander Model No:NBS-10B

SPECIFICATION:

FREE SPEED 16,000 RPM
 BELT SIZE 10*330 MM
 AIR INLET 1/4"
 AIR CONSUMPTION 360 L/MIN
 LENGTH 14-3/8" (360 M/M)
 WEIGHT 1.8 LBS (0.8 KG)



PART LIST:

NO	DESCRIPTION	PARTS NO	Qty	REMARK
1	GRINDING BELT(#80)	BP309A001A	1	
	GRINDING BELT (#100)	BP309A001B	1	
	GRINDING BELT (#120)	BP309A001C	1	
2	IDLE PULLEY 10 SUB ASSY INCLUDE : IDLE PULLEY 684ZZ BALL BEARING	BP309A0020	1	
3	WASHER	BP309A0030	1	
4	IDLE PULLEY SCREW	BP309A0040	1	
5	BRACKET 10	BP309A0050	1	
6	TENSION BAR 10	BP309A0060	1	
7	HEXAGON SOCKET HEADLESS SET SCREW 3 * 6	BP309A0070	1	
8	CROSS-RECESSED FLAT HEAD MACHINE SCREW 3 * 8	BP309A0080	1	
9	SPRING 1.0 * 7.2 * 6.5	BP309A0090	1	
10	SPRING PIN 3 * 10	BP309A0100	2	
11	SPRING 1.07 * 4.0 * 35.5	BP309A0110	1	
12	SHOE 10	BP309A0120	1	
13	CROSS-RECESSED FLAT HEAD MACHINE SCREW	BP309A0130	1	
14	GUARD SUB ASSY A	BP309A0140	1	
14A	GUARD BUSHING	BP309A014A	1	
15	HEXAGON SOCKET HEAD BOLT 5 * 15	BP309A0150	1	
16	HEXAGON NUT M6	BP309A0160	1	
16A	WASHER	BP309A016A	1	
17	DRIVE PULLEY	BP309A0170	1	
18	HOUSING	BP309A0180	1	

NO	DESCRIPTION	PARTS NO	Qty	REMARK
19	BALL BEARING 628ZZ	BP309A0190	1	
20	END PLATE B	BP309A0200	1	
21	SPACER (φ 8 * φ 11 * 3)	BP309A0210	1	
22	SUNK KEY 3 * 3 * 10	BP309A0220	1	
23	CAP	BP306A0230	1	
24	BALL BEARING 607ZZ	BP306A0240	1	
25	END PLATE A	BP309A0250	1	
26	CYLINDER	BP309A0260	1	
26A	PIN (φ 3 * 6)	BP309A026A	1	
27	BLADE ASSY (5 PCS/SET)	BP309A0270	1	
28	ROTOR	BP309A0280	1	
29	THROTTLE LEVER	BP309A0290	1	
30	LEVER PIN	BP309A0300	1	
31	VALVE BODY	BP309A0310	1	
33	P9 O-RING	P9	2	
34	P5 O-RING	P5	1	
35	VALVE STEM	BP309A0350	1	
36	O-RING (φ 3.6 * 2.4)	BP309A0360	1	
37	VALVE SPRING	BP309A0370	1	
38	DEFLECTOR	BP309A0380	1	
39	AIR INLET	BP309A0390	1	
40	TENSION BAR	BP309A0400	1	
41	SPRING	BP309A0410	1	
42	LEVER PIN (φ 2 * 6)	BP309A0420	1	
43	LEVER PIN (φ 2.5 * 10)	BP309A0430	1	
44	DUST COVER	BP309A0440	1	
45	HEXAGON WRENCH KEY 4	BP309A0450	1	
46	HEXAGON WRENCH KEY 1.5	BP309A0460	1	