

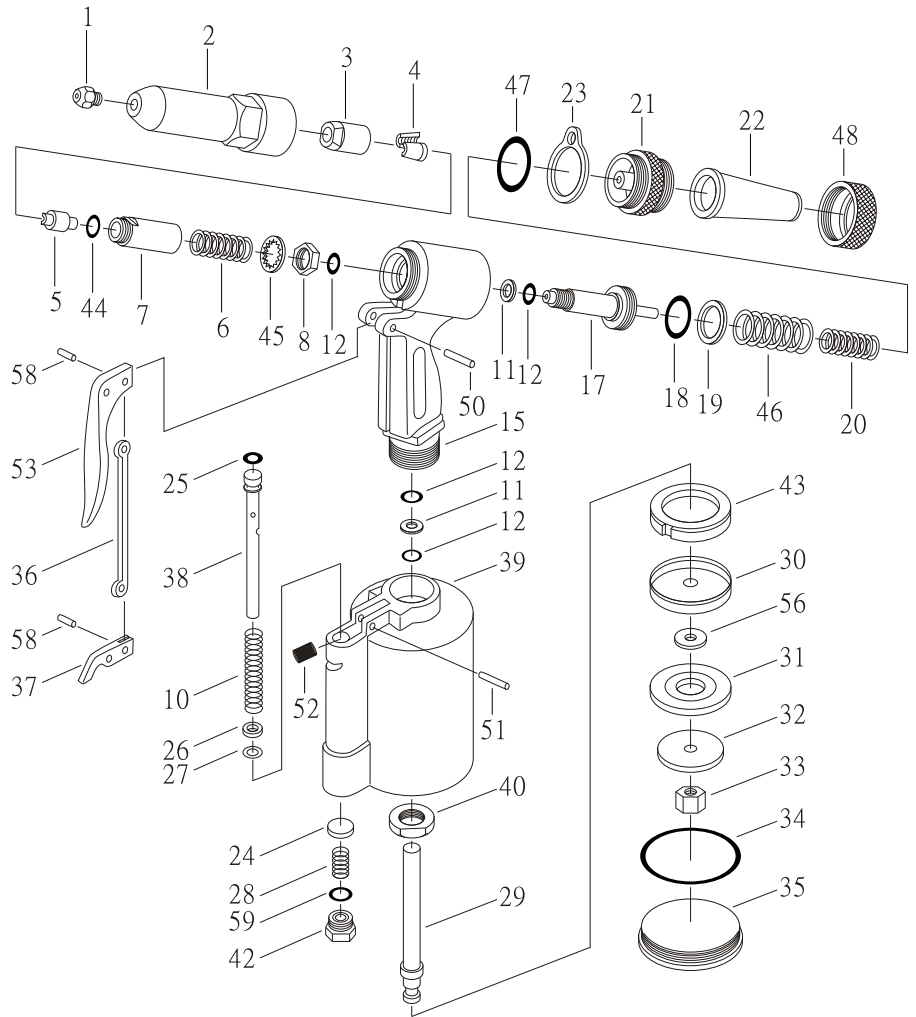
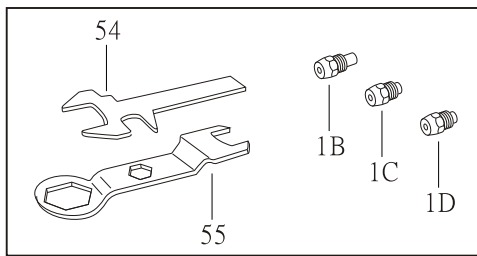
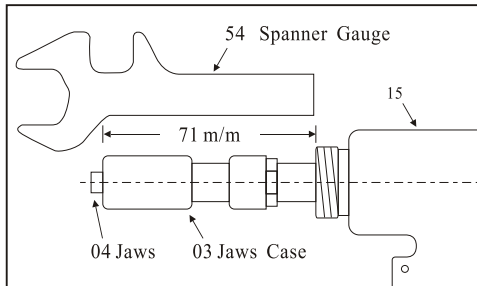
Professional Duty

Air Hydraulic Riveter Model No: NAR - 500

SPECIFICATION:

TRACTION POWER1,045 kg.f (2304 LBS.F)
 NOSE PIECES
 3/32" (2.4 m/m) 1/8" (3.2 m/m) 5/32" (4.0 m/m) 3/16" (4.8 m/m)
 CAPACITY
FOR STEEL RIVETS 3/32" (2.4 m/m) ~ 3/16" (4.8 m/m)
 AIR PRESSURE78 - 85 P.S.I (5.5 kg/cm² ~ 6.0 kg/cm²)
 AIR CONSUMPTION 1.5 I /rivet
 AIR INLET1/4" PT (NPT)
 HOSE SIZE 3/8" I.D.
 TOTAL HEIGHT 271 m/m
 TOTAL LENGTH 225 m/m
 NET WEIGHT 3.17 LBS (1.44 kgs)

ADJUSTING LENGTH



PART LIST :

NO	DESCRIPTION	PART NO.	Q'TY	REMARK
1	NOSE PIECE 4.8 m/m (3/16")	BP84701A00	1	
	NOSE PIECE 4.0 m/m (5/32")	BP84701B00	1	
	NOSE PIECE 3.2 m/m (1/8")	BP84701C00	1	
	NOSE PIECE 2.4 m/m (3/32")	BP84701D00	1	
2	NOSE HOUSING 87L	BP84102000	1	
	LONG NOSE HOUSING 162L	BP84702L00	★	
3	JAWS CASE HEAD	BP84703000	1	
4	JAWS (5*10)	BP84704000	2	
5	JAW PUSHER	BP84705000	1	
6	JAW PUSHER SPRING	BP84706000	1	
7	JAW CASE BACK PART	BP84707000	1	
	LONG JAW CASE BACK PART	BP84707L00	★	
8	JAW CASE LOCK NUT	BP84708000	1	
10	VALVE PUSHER SPRING	BPYS11M010	1	
11	B-RING	BP84711000	2	
12	O-RING	BP84712000	4	
15	FRAME	BPYS11M015	1	
17	OIL PISTON	BP84717000	1	
18	O-RING	BP84718000	1	
19	B-RING	BP84719000	1	
20	RETURN SPRING (INNER)	BP84720000	1	
21	FRAME CAP	BP84721000	1	
22	SAFETY CAP	BP84722000	1	
23	HANGER CLIP	BP84723000	1	
24	VALVE (DISC)	BPYS11M024	1	
25	O-RING	BPYS11M025	1	
26	COLLAR FOR VALVE PUSHER	BPYS11M026	1	
27	O-RING	BPYS11M027	1	
28	VALVE SPRING	BPYS11M028	1	

NO	DESCRIPTION	PART NO.	Q'TY	REMARK
29	AIR PISTON ROD	BPYS11M029	1	
30	BUMPER SEAT	BPYS11M030	1	
31	CUP PACKING	BPYS11M031	1	
32	PISTON WASHER	BPYS11M032	1	
33	LOCK NUT	BPYS11M033	2	
34	O-RING	BP84734000	1	
35	AIR CYLINDER CAP	BP84735000	1	
36	TRIGGER CONNECTOR ROD	BPYS11M036	1	
37	TRIGGER LEVER	BPYS11M037	1	
38	VALVE PUSHER TUBE	BPYS11M038	1	
39	AIR CYLINDER	BPYS11M039	1	
40	FRAME LOCK NUT	BP84740000	1	
42	NIPPLE END PLUG	BPYS11M042	1	
43	BUMPER (RUBBER CUSHION)	BPYS11M043	1	
44	O-RING	BP84744000	1	
45	LOCK WASHER	BP84745000	1	
46	RETURN SPRING (OUTER)	BP84746000	1	
47	O-RING	BP84747000	1	
48	SAFETY CAP NUT	BP84748000	1	
50	SPRING PIN	BPYS11M050	1	
51	SPRING PIN	BPYS11M051	1	
52	LOCK SCREW	BPYS11M052	1	
53	TRIGGER (LONG)	BPYS11M053	1	
	TRIGGER (SHORT)	BPYS11M53A	★	
54	SPANNER GAUGE 15,14	BP84754000	1	
55	SPANNER 24,17,10	BP84755000	1	
56	PISTON WASHER SEAT	BPYS11M056	1	
58	SPRING PIN	BPYS11M058	2	
59	O-RING	BPYS11M059	1	

"★" means OPTIONAL ACCESSORY.

We hold the right to modify the part list without advanced notify.