

Replacement Parts List

CE ISO9001

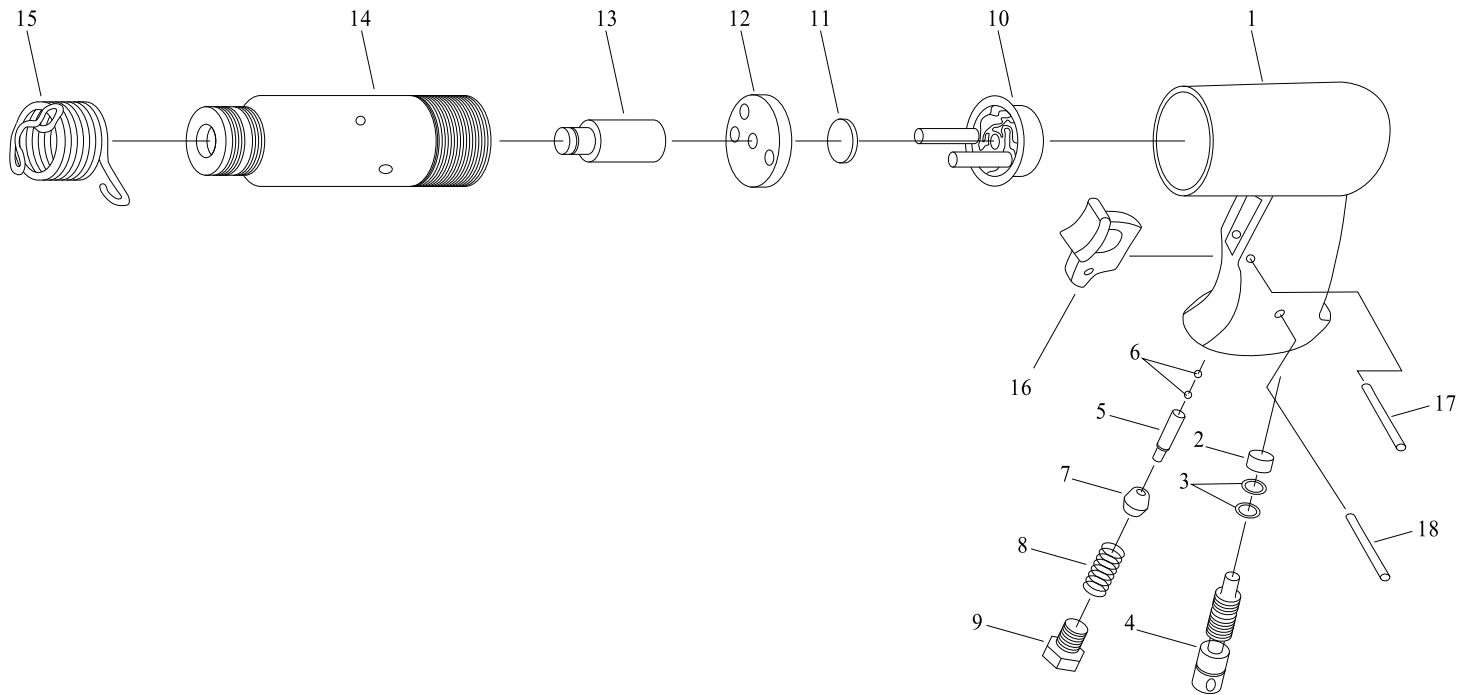
Manufacturer

Professional Duty

2-5/8" Air Hammer Model No: NAH - 8K

SPECIFICATION:

CHISEL SHANK SIZE 0.401" (ROUND)
 0.410" (HEX.)
 BLOW PER MIN 3,000 BPM
 BORE DIAMETER 3/4" (19.05MM)
 PISTON STROKE LENGTH 66 MM
 AIR INLET 1/4"
 LENGTH 7-3/4" (190 M/M)
 WEIGHT 3.4 LBS (1.5 KGS)



PARTS LIST :

NO	DESCRIPTION	PARTS NO	Qty	REMARK
1	HOUSING	BP102H0100	1	
2	PLUG	BP101H0200	1	
3	O-RING	BP101H0300	2	
4	REGULATOR	BP101H0400	1	
5	CONTROL PIN	BP101H0500	1	
6	O-RING	BP101H0600	2	
7	BALL VALVE	BP101H0700	1	
8	SPRING	BP101H0800	1	
9	AIR INLET	BP101H0900	1	
10	REAR VALVE	BP101H1000	1	

NO	DESCRIPTION	PARTS NO	Qty	REMARK
11	VALVE DISK	BP101H1100	1	
12	FRONT VALVE	BP101H1200	1	
13	PISTON	BP102H1300	1	
14	CYLINDER (ROUND)	BP102H1400	1	
	CYLINDER (HEXAGON)	BP102H140H	1	
15	RETAINER SPRING	BP101H1500	1	
16	TRIGGER	BP101H1600	1	
17	DOWEL PIN	BP101H1700	1	
18	DOWEL PIN	BP101H1800	1	