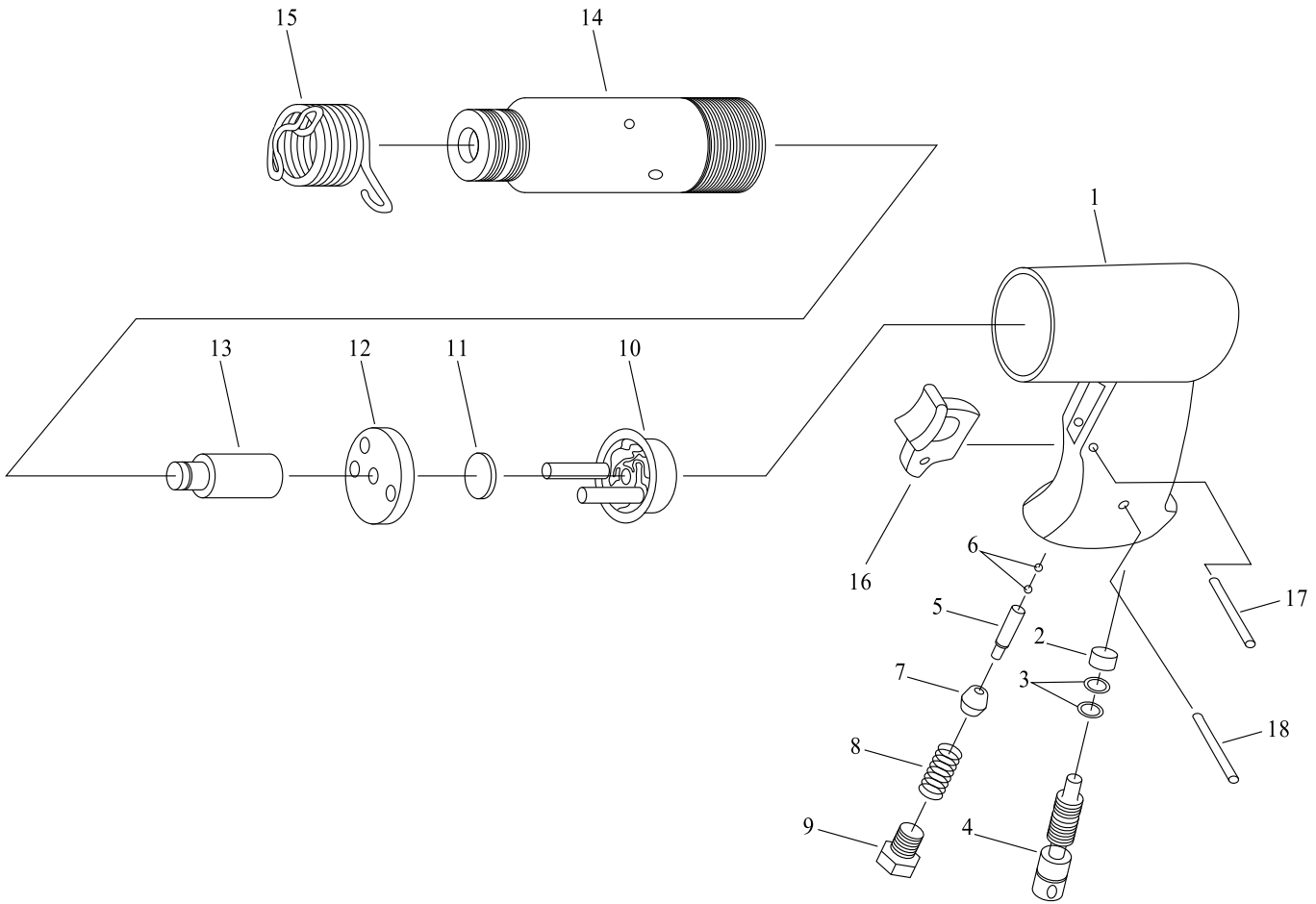


## Professional Duty

## 1-5/8" Air Hammer Model No: NAH - 6K

**SPECIFICATION:**

CHISEL SHANK SIZE ..... 0.401" (ROUND)  
 0.410" (HEX.)  
 BLOW PER MIN ..... 4,500 BPM  
 BORE DIAMETER ..... 3/4" (19.05MM)  
 PISTON STROKE LENGTH ..... 43 MM  
 AIR INLET ..... 1/4"  
 LENGTH ..... 6" (150 M/M)  
 WEIGHT ..... 2.6 LBS ( 1.2 KGS )



**PARTS LIST :**

NO	DESCRIPTION	PARTS.NO	Qty	REMARK
1	BODY	BP101H0100	1	
2	PLUG	BP101H0200	1	
3	O-RING	BP101H0300	2	
4	REGULATOR	BP101H0400	1	
5	CONTROL PIN	BP101H0500	1	
6	O-RING	BP101H0600	2	
7	BALL VALVE	BP101H0700	1	
8	SPRING	BP101H0800	1	
9	HOSE JOINT	BP101H0900	1	
10	REAR VALVE	BP101H1000	1	

NO	DESCRIPTION	PARTS.NO	Qty	REMARK
11	VALVE DISK	BP101H1100	1	
12	FRONT VALVE	BP101H1200	1	
13	PISTON	BP101H1300	1	
14	CYLINDER (ROUND)	BP101H1400	1	
	CYLINDER (HEXAGON)	BP101H140H	1	
15	RETAINER SPRING	BP101H1500	1	
16	TRIGGER	BP101H1600	1	
17	DOWEL PIN	BP101H1700	1	
18	DOWEL PIN	BP101H1800	1	