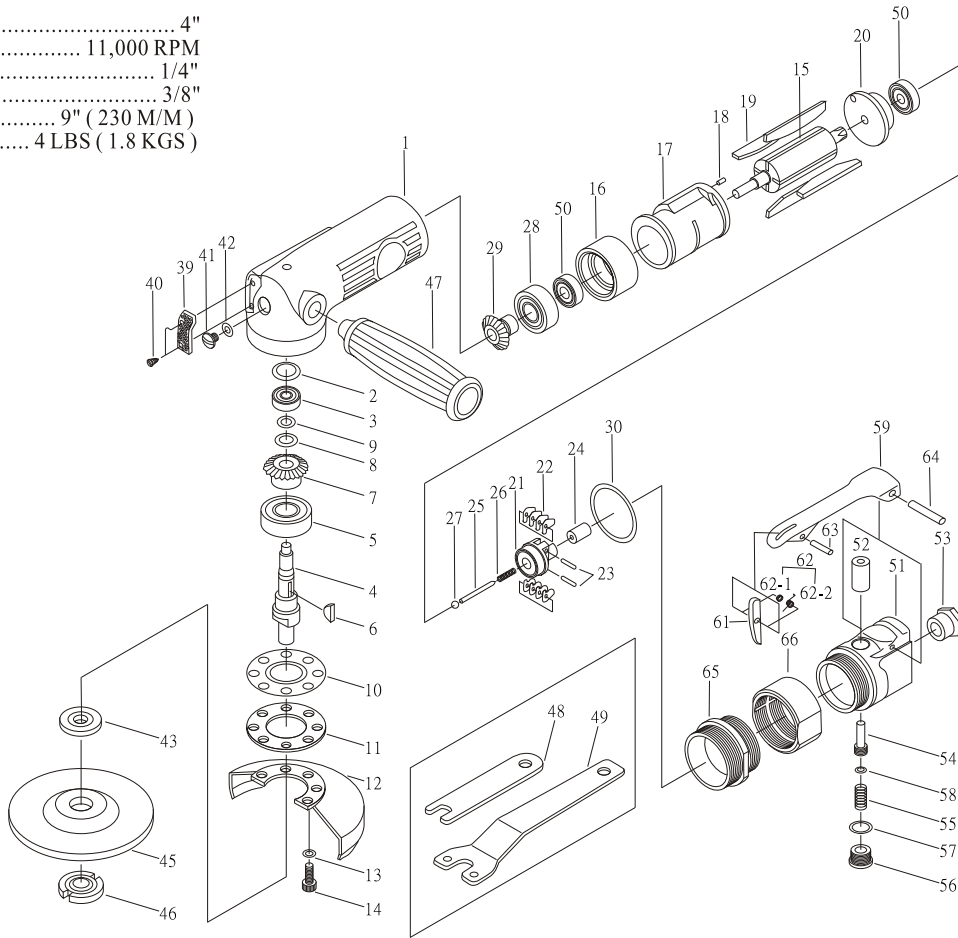


Professional Duty

4" Angle Head Grinder Model No : NAG-40

SPECIFICATION:

DISC SIZE 4"
 FREE SPEED 11,000 RPM
 AIR INLET 1/4"
 HOSE SIZE 3/8"
 LENGTH 9" (230 M/M)
 WEIGHT 4 LBS (1.8 KGS)



PART LIST :

NO	DESCRIPTION	PART NO	Qty	REMARK
1	MOTOR HOUSING	BP52100100	1	
2	SEAL PLATE	BP52100200	1	
3	BALL BEARING	BP52100300	1	
4	ARBOR	BP52100400	1	
5	BALL BEARING	BP52100500	1	
6	WOODRUFF KEY	BP52100600	1	
7	BEVEI GEAR	BP52100700	1	
8	WAVE WASHER	BP52100800	1	
9	EXTERNAL STOPRING	BP52100900	1	
10	GASKET	BP52101000	1	
11	RETAINER	BP52101100	1	
12	CENTER WHEEL GUARD	BP52101200	1	
13	SPRING WASHER	BP52101300	5	
14	HEX SOCKET HEAD CAP BOLT	BP52101400	5	
15	ROTOR	BP52101500	1	
16	FRONT END PLATE	BP52101600	1	
17	CYLINDER	BP52101700	1	
18	SPRING PIN	BP52101800	1	
19	ROTOR BLADE	BP52101900	4	
20	REAR END PLATE	BP52102000	1	
21	GOVERNOR	BP52102100	1	
22	PENDULUM	BP52102200	8	
23	SPRING PIN	BP52102300	2	
24	PLUNGER	BP52102400	1	
25	ADJUST SCREW	BP52102500	1	
26	SPRING	BP52102600	1	
27	ADJUST NUT	BP52102700	1	
28	BALL BEARING	BP52102800	1	
29	BEVEL PINION	BP52102900	1	
30	O-RING	BP52103000	1	
39	EXHAUST DEFLECTOR	BP52103900	1	
40	TAPPING SCREW	BP52104000	2	
41	PLUG	BP52104100	1	
42	O-RING	BP52104200	1	

NO	DESCRIPTION	PART NO	Qty	REMARK
43	FLANGE	BP52104300	1	
45	GRINDING WHEEL	BP52104500	1	
46	FLANGE NUT	BP52104600	1	
47	HANDLE	BP52104700	1	
48	WRENCH(A)	BP52104800	1	
49	WRENCH(B)	BP52104900	1	
50	BALL BEARING	BP52105000	2	
51	THROTTLE VALVE HOUSING	BP52105100	1	
52	BUSHING	BP52105200	1	
53	AIR INLET BUSHING	BP52105300	1	
54	VALVE STEM	BP52105400	1	
55	VALVE SPRING	BP52105500	1	
56	THROTTLE HOUSING	BP52105600	1	
57	O-RING	BP52105700	1	
58	O-RING	BP52105800	1	
59	THROTTLE LEVER	BP52105900	1	
61	THROTTLE LEVER LOCK	BP52106100	1	
62	TORSION SPRING (2pcs/set)	BP52106200	1	
63	SPRING PIN	BP52106300	1	
64	SPRING PIN	BP52106400	1	
65	LOCK RING	BP52106500	1	
66	COUPLING NUT	BP52106600	1	

K1	THROTTLE VALVE HOUSING KIT	BP52100K10	1 SET	
K2	THROTTLE LEVER KIT	BP52100K20	1 SET	
K3	GOVERNOR KIT	BP52100K30	1 SET	
K4	BEVEL GEAR KIT	BP52100K40	1 SET	
K5	O-RING KIT	BP52100K50	1 SET	
K1	51, 52, 53			
K2	59, 61, 62, 63			
K3	21, 22, 23, 24, 25, 26, 27			
K4	7, 29			
K5	57, 58			